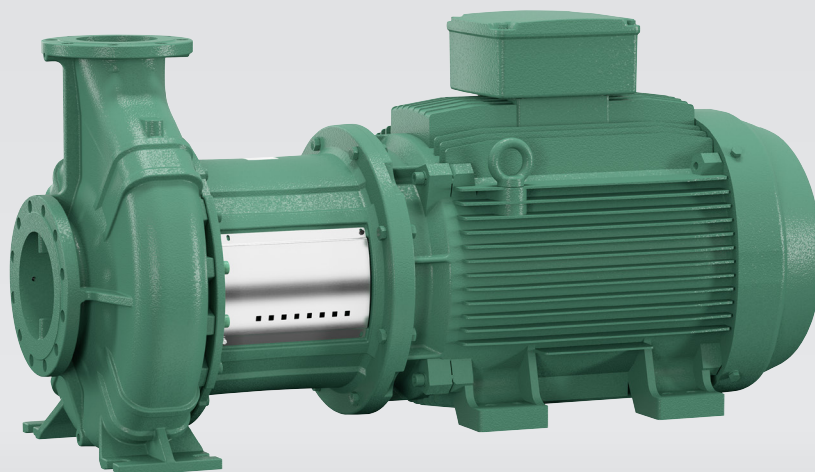
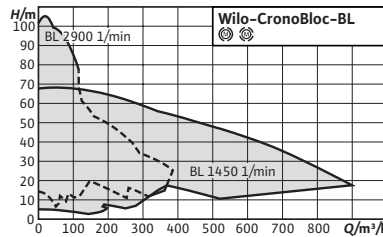


Pioneering for You

Range leaflet - Edition 09/2016 - 50 Hz

Wilo-CronoBloc-BL





Accessories

- Brackets for installation on a base
- PTC thermistor sensor, PTC resistor tripping relay
- Special motors
- Special mechanical seals
- SC-HVAC, CC-HVAC control systems and switchgears

Series extension



Wilo-CronoBloc-BL



Design

Glanded pump in block design with flange connection

Application

For pumping heating water (in accordance with VDI 2035), water-glycol mixtures, cooling water and cold water without abrasive substances in heating, cold water and cooling water systems.

Type key

- Example **BL 40/160-4/2**
- BL** Monobloc pump
- 40** Nominal diameter DN of the pipe connection (pressure port)
- 160** Nominal impeller diameter
- 4** Rated motor power P_2 in kW
- 2** number of poles

Special features/product advantages

- Reduced life cycle costs thanks to optimized efficiency
- High corrosion protection through cathoretic coating of the cast iron components
- Standard condensate drainage holes in the motor housings
- High worldwide obtainability of standard motors (according to Wilo specifications) and mechanical seals
- Meets user requirements due to performance and main dimensions in accordance with EN 733 (DIN for norm pumps)

Technical data (series)	
Minimum Efficiency Index (MEI)	≥ 0.4
Approved fluids (other fluids on request)	
Heating water (in accordance with VDI 2035)	•
Water-glycol mixtures (for 20-40 vol.% glycol and fluid temperature ≤ 40 °C)	•
Cooling and cold water	•
Heat transfer oil	Special version at additional charge
Permitted field of application	
Standard version for operating pressure p_{max}	13 bar (up to +140 °C) / 16 bar (up to +120 °C)
Special version for operating pressure p_{max}	25 bar

• = appropriate, - = not appropriate

Technical data (series)	
Temperature range at max. ambient temperature +40 °C	-20...+140 °C (depending on the fluid)
Ambient temperature	-15°C ... 40°C
Installation in closed buildings	•
Outdoor installation	Special version at additional charge
Electrical connection	
Mains connection	3~400 V, 50 Hz (others on request)
Motor/electronics	
Integrated full motor protection	Special version with PTC thermistor sensor (KLF) at additional charge

• = appropriate, - = not appropriate

Technical data (series)

Protection class	IP 55
Insulation class	F

Installation options

Pipe installation (≤ 15 kW motor power)	•
Support-bracket mounting	•

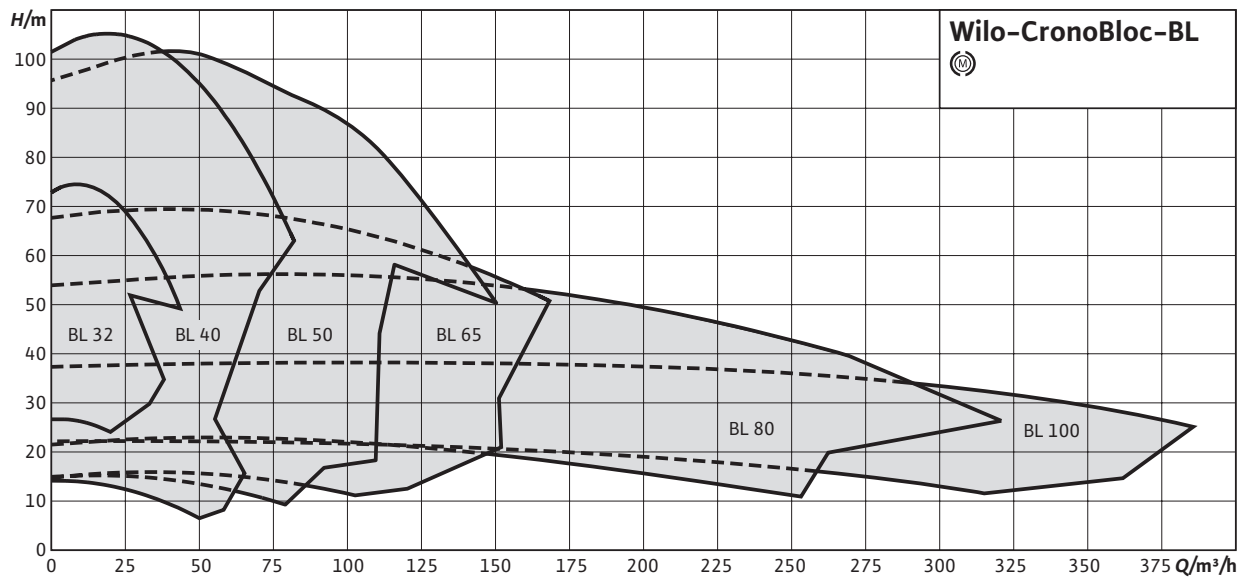
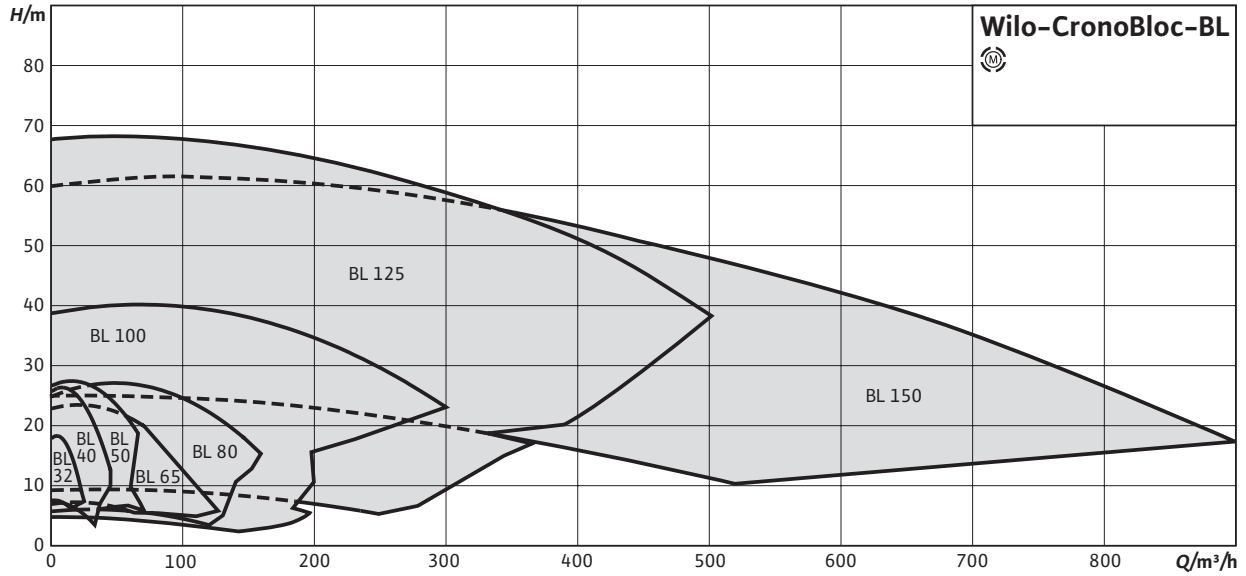
• = appropriate, - = not appropriate

Technical data (series)

Materials

Pump housing	EN-GJL-250
Lantern	EN-GJL-250
Impeller	EN-GJL-200
Pump shaft	1.4122
Mechanical seal	AQEGG
Other mechanical seals	On request

• = appropriate, - = not appropriate



Scope of delivery

- Pump
- Installation and operating instructions

Options

- ...-L1 variant with bronze impeller (at additional charge)
- ...-L4 variant with stainless steel impeller (at additional charge)
- ...-H1 variant with housing made of spheroidal cast iron (at additional charge)
- Other voltages and frequencies as well as ATEX approval on request

Accessories

- Bases (pump housing and motor) for installation on a base
- PTC thermistor sensor, PTC thermistor tripping relay
- Special motors
- Special mechanical seals
- SC-HVAC, CC-HVAC control systems and switchgears

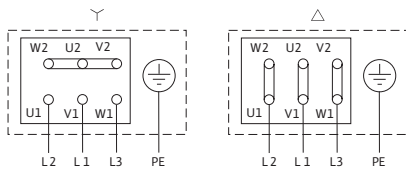
Note

Motors with efficiency class IE3 for motors ≥ 0.75 kW

General notes – ErP (ecological design-) directive

- The benchmark for most efficient water pumps is $MEI \geq 0.70$
- The efficiency of a pump with a trimmed impeller is usually lower than that of a pump with the full impeller diameter. The trimming of the impeller will adapt the pump to a fixed duty point, leading to reduced energy consumption. The minimum efficiency index (MEI) is based on the full impeller diameter.
- The operation of this water pump with variable duty points may be more efficient and economic when controlled, for example, by the use of a variable speed drive that matches the pump duty to the system.
- Information on benchmark efficiency is available at www.europump.org/efficiencycharts
- Pumps with power consumption > 150 kW or a volume flow $Q_{BEP} < 6$ m³/h are not subject to the Ecodesign Directive for water pumps. Therefore, no MEI value is shown.

Terminal diagram



Δ: Connection diagram delta connection
Y: Connection diagram star connection

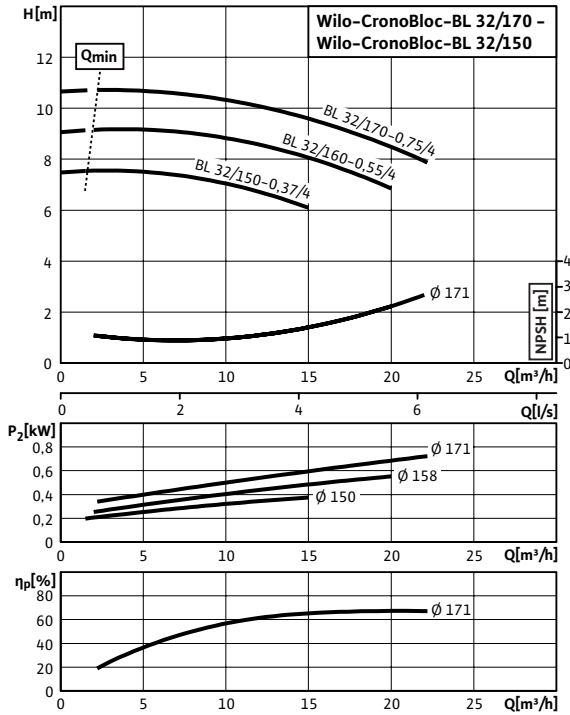
Motor protection switch required on-site. Check the direction of rotation! To change the direction of rotation, exchange any two phases.

$P_2 \leq 3 \text{ kW}$	3~400 V Y
	3~230 V Δ
$P_2 \geq 4 \text{ kW}$	3~690 V Y
	3~400 V Δ

After removing the bridges, Y-Δ start is possible.

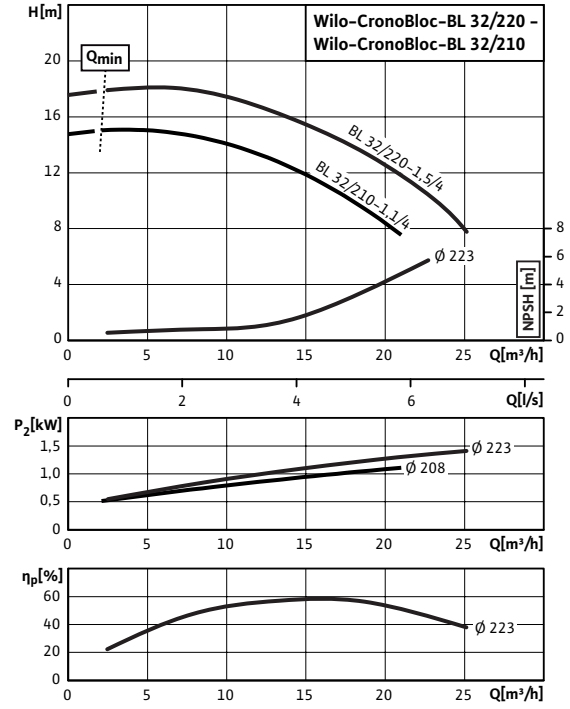
Pump curves

CronoBloc-BL 32/150-0,37/4 - 32/170-0,75/4 (4-pole, 50 Hz)

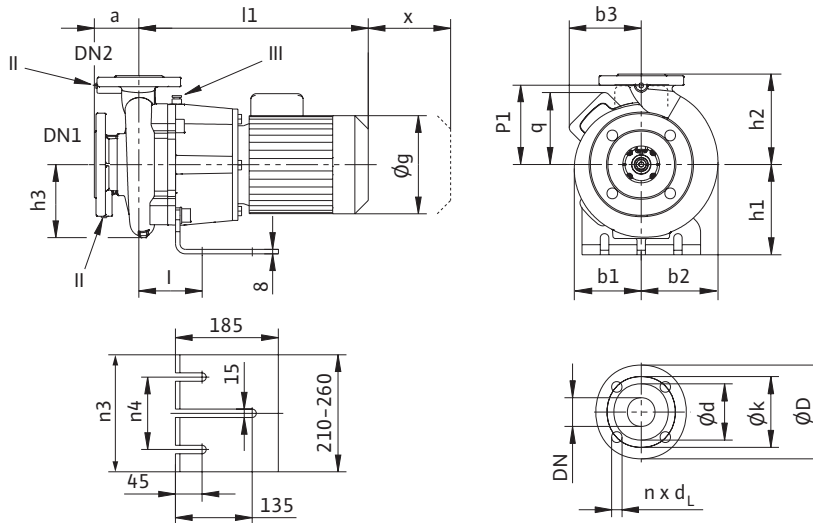


Pump curves

CronoBloc-BL 32/210-1,1/4 - 32/220-1,5/4 (4-pole, 50 Hz)



Dimension drawing



Dimensions, weights (4-pole)

Wilo-CronoBloc-BL...	Dimensions															Weight approx. m kg
	a	b1	b2	b3	Øg	H1	H2	H3 mm	l	l1	N3	N4	p1	q	x	
32/150-0,37/4	80	113	129	110	164	160	160	122	110	388	130	210	-	110	100	37
32/160-0,55/4	80	113	129	123	185	160	160	122	110	423	130	210	-	123	100	41
32/170-0,75/4	80	113	129	123	185	160	160	122	110	423	130	210	-	123	100	45
32/210-1,1/4	80	145	149	-	193	180	180	145	117	444	180	260	151	-	100	56
32/220-1,5/4	80	145	149	-	193	180	180	145	117	460	180	260	151	-	100	60

Flange dimensions (suction side)

Wilo-CronoBloc-BL...	Nominal diameter	Pump flange dimensions			
	DN1	ØD	Ød mm	Øk	n x d _L pcs. x mm
32...	50	165	99	125	4 x 19

Pump flange dimensions - according to EN 1092-2 PN 16; n = number of drilled holes

Flange dimensions (discharge side)

Wilo-CronoBloc-BL...	Nominal diameter	Pump flange dimensions			
	DN2	ØD	Ød mm	Øk	n x d _L pcs. x mm
32...	32	140	76	100	4 x 19

Pump flange dimensions - according to EN 1092-2 PN 16; n = number of drilled holes

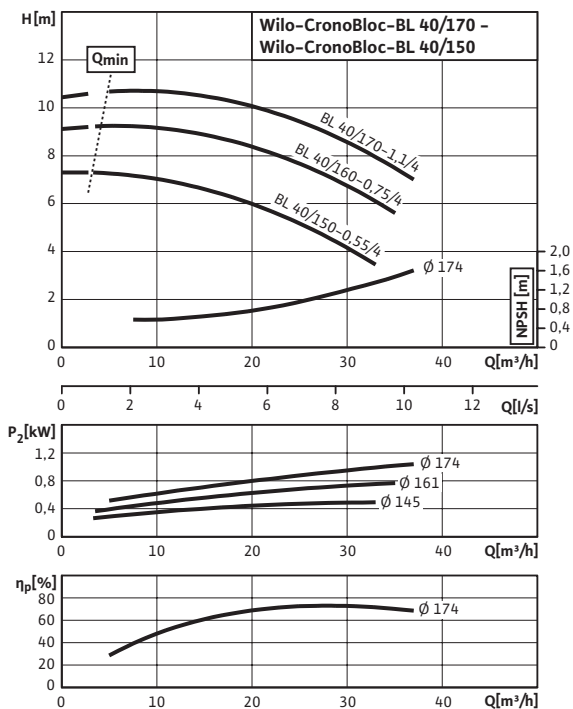
Motor data (4-pole), minimum efficiency index, article numbers

Wilo-CronoBloc-BL...	Motor efficiency level	Rated power	Rated current (approx.)	Power factor	Rated speed	Motor efficiency	Art no.
		P ₂ kW	I _N 3~400 V A	cos φ	n rpm	η _{m 50%} /η _{m 75%} /η _{m 100%} %	
32/150-0,37/4	IE2	0.37	1.06	0.71	1450	69.5/73.2/76.1	2089367
32/160-0,55/4	IE2	0.55	1.40	0.66	1450	75.4/78.5/78.1	2089365
32/170-0,75/4	IE3	0.75	1.80	0.73	1450	77.7/81.8/82.5	2121071
32/210-1,1/4	IE3	1.10	2.30	0.82	1450	80.1/83.5/84.1	2121072
32/220-1,5/4	IE3	1.50	3.60	0.71	1450	81.3/83.4/84.6	2121073

Observe motor name plate data

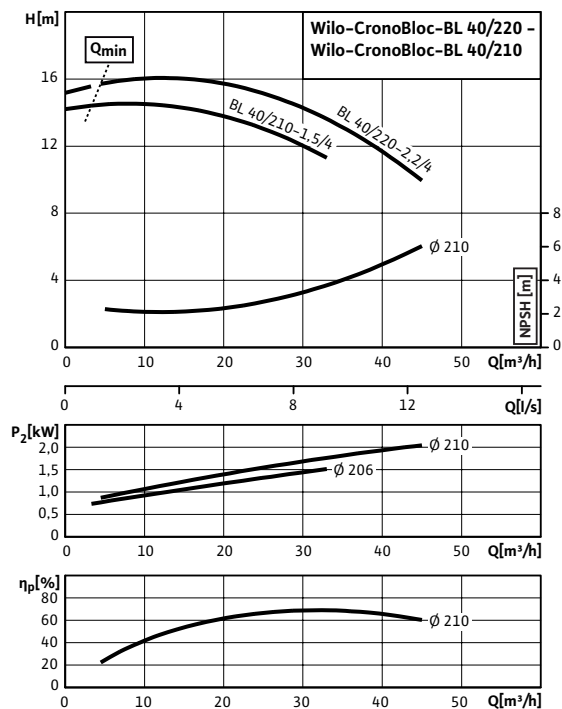
Pump curves

CronoBloc-BL 40/150-0,55/4 - 40/170-1,1/4 (4-pole, 50 Hz)

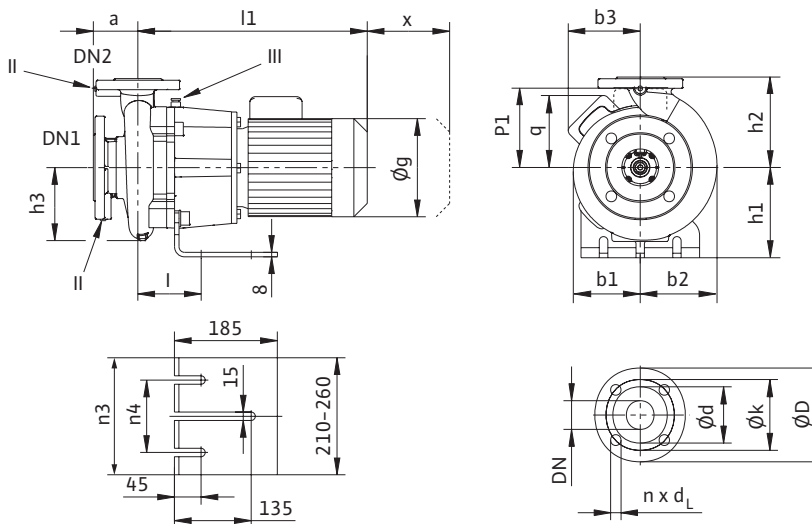


Pump curves

CronoBloc-BL 40/210-1,5/4 - 40/220-2,2/4 (4-pole, 50 Hz)



Dimension drawing



Dimensions, weights (4-pole)

Wilo-CronoBloc-BL...	Dimensions															Weight approx. m kg
	a	b1	b2	b3	$\varnothing g$	H1	H2	H3 mm	l	l1	N3	N4	p1	q	x	
40/150-0,55/4	80	120	135	123	185	160	160	132	114	423	130	210	-	123	100	43
40/160-0,75/4	80	120	135	123	185	160	160	132	114	423	130	210	-	123	100	47
40/170-1,1/4	80	120	135	144	193	160	160	132	114	447	130	210	-	144	100	55
40/210-1,5/4	100	145	151	-	193	180	180	145	124	467	180	260	151	-	105	67
40/220-2,2/4	100	145	151	-	217	180	180	145	124	512	180	260	160	-	105	76

Flange dimensions (suction side)

Wilo-CronoBloc-BL...	Nominal diameter	Pump flange dimensions			
	DN1	$\varnothing D$	$\varnothing d$ mm	$\varnothing k$	$n \times d_L$ pcs. x mm
40...	65	185	118	145	4 x 19

Pump flange dimensions - according to EN 1092-2 PN 16; n = number of drilled holes

Flange dimensions (discharge side)

Wilo-CronoBloc-BL...	Nominal diameter	Pump flange dimensions			
	DN2	$\varnothing D$	$\varnothing d$ mm	$\varnothing k$	$n \times d_L$ pcs. x mm
40...	40	150	84	110	4 x 19

Pump flange dimensions - according to EN 1092-2 PN 16; n = number of drilled holes

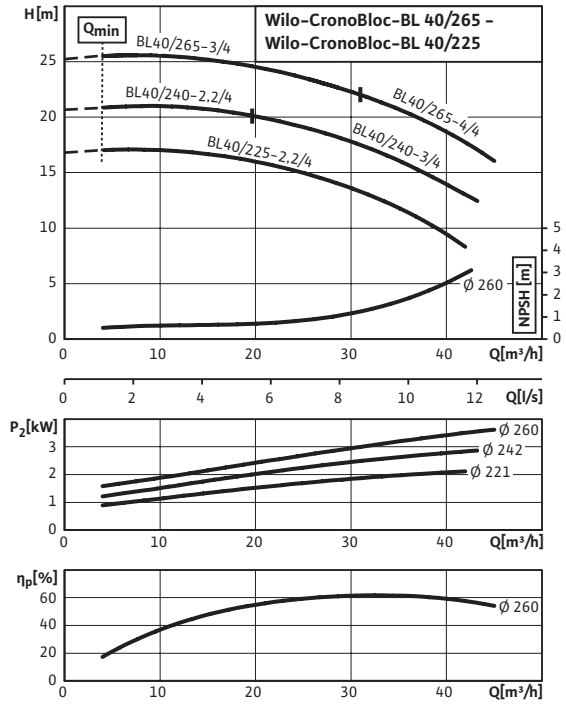
Motor data (4-pole), minimum efficiency index, article numbers

Wilo-CronoBloc-BL...	Motor efficiency level	Rated power	Rated current (approx.)	Power factor	Rated speed	Motor efficiency	Art no.
		P_2 kW	I_N 3~400 V A	$\cos \varphi$	n rpm	$\eta_{m 50\%} / \eta_{m 75\%} / \eta_{m 100\%}$ %	
40/150-0,55/4	IE2	0.55	1.40	0.66	1450	75.4/78.5/78.1	2089384
40/160-0,75/4	IE3	0.75	1.80	0.73	1450	77.7/81.8/82.5	2121074
40/170-1,1/4	IE3	1.10	2.30	0.82	1450	80.1/83.5/84.1	2121075
40/210-1,5/4	IE3	1.50	3.60	0.71	1450	81.3/83.4/84.6	2121076
40/220-2,2/4	IE3	2.20	4.90	0.78	1450	82.0/84.4/85.0	2121077

Observe motor name plate data

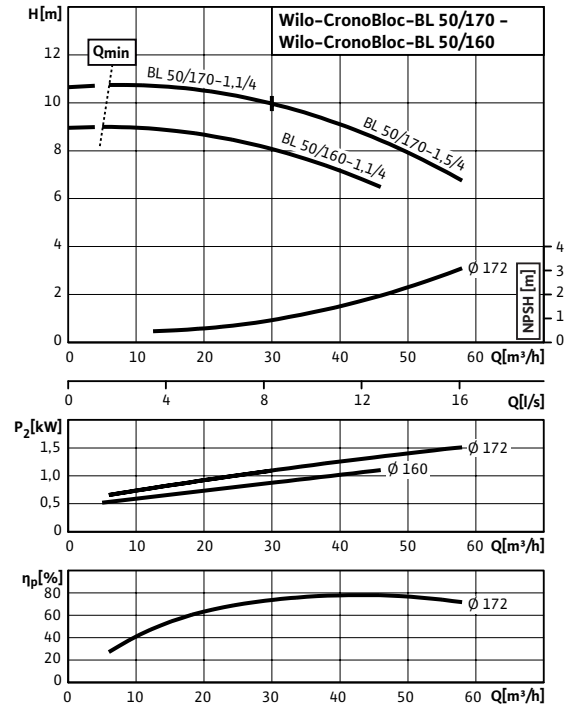
Pump curves

CronoBloc-BL 40/225-2,2/4 - 40/265-4/4 (4-pole, 50 Hz)

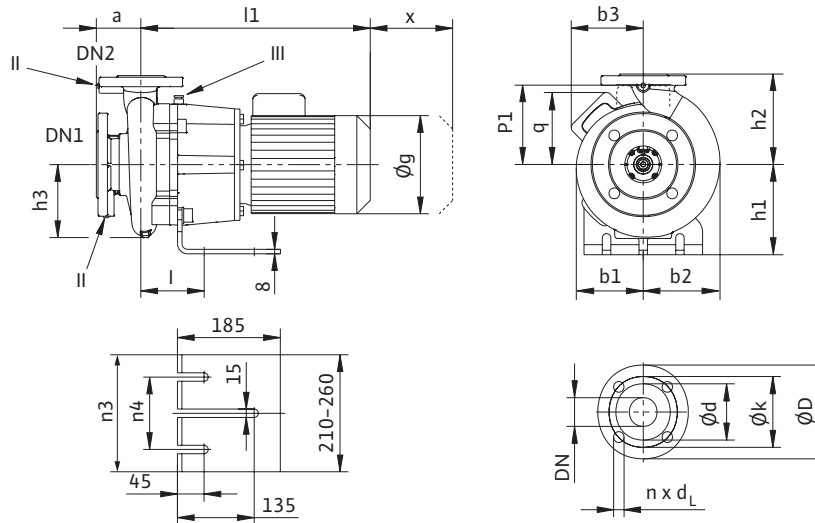


Pump curves

CronoBloc-BL 50/160-1,1/4 - 50/170-1,5/4 (4-pole, 50 Hz)



Dimension drawing



Dimensions, weights (4-pole)																
Wilo-CronoBloc-BL...	Dimensions															Weight ap-prox. m kg
	a	b1	b2	b3	∅g	H1	H2	H3 mm	l	l1	N3	N4	p1	q	x	
40/225-2,2/4	100	174	174	-	217	200	225	174	126	514	180	260	160	-	110	86
40/240-2,2/4	100	174	174	-	217	200	225	174	126	514	180	260	160	-	110	86
40/240-3/4	100	174	174	-	217	200	225	174	126	531	180	260	160	-	110	94
40/265-3/4	100	174	174	-	217	200	225	174	126	531	180	260	160	-	110	94
40/265-4/4	100	174	174	-	232	200	225	174	126	541	180	260	188	-	110	101
50/160-1,1/4	100	127	147	144	193	160	180	152	122	455	130	210	-	144	120	58
50/170-1,1/4	100	127	147	144	193	160	180	152	122	455	130	210	-	144	120	58
50/170-1,5/4	100	127	147	144	193	160	180	152	122	471	130	210	-	144	120	60

Flange dimensions (suction side)					
Wilo-CronoBloc-BL...	Nominal diameter	Pump flange dimensions			
	DN1	∅D	∅d mm	∅k	n x d _L pcs. x mm
40...					
50...	65	185	118	145	4 x 19

Pump flange dimensions - according to EN 1092-2 PN 16; n = number of drilled holes

Flange dimensions (discharge side)					
Wilo-CronoBloc-BL...	Nominal diameter	Pump flange dimensions			
	DN2	∅D	∅d mm	∅k	n x d _L pcs. x mm
40...	40	150	84	110	4 x 19
50...	50	165	99	125	4 x 19

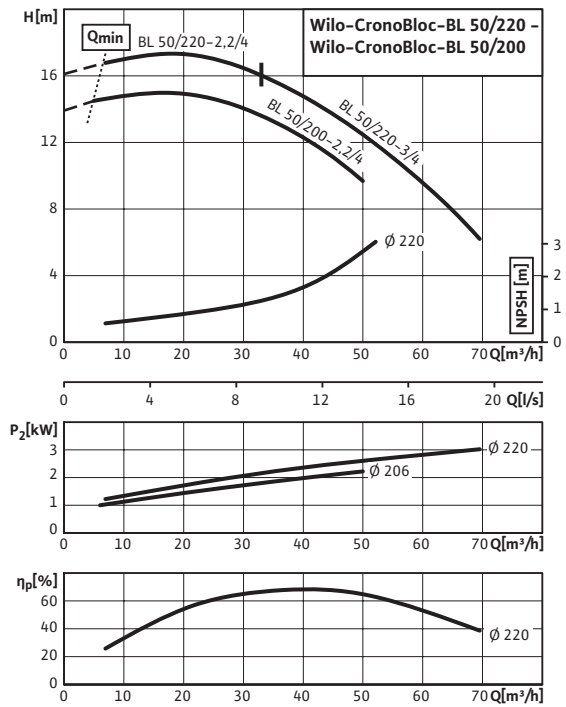
Pump flange dimensions - according to EN 1092-2 PN 16; n = number of drilled holes

Motor data (4-pole), minimum efficiency index, article numbers							
Wilo-CronoBloc-BL...	Motor efficiency level	Rated power	Rated current (approx.)	Power factor	Rated speed	Motor efficiency	Art no.
		P ₂ kW	I _N 3~400 V A	cos φ	n rpm	η _{m 50%} /η _{m 75%} /η _{m 100%} %	
40/225-2,2/4	IE3	2.20	4.90	0.78	1450	82.0/84.4/85.0	2142010
40/240-2,2/4	IE3	2.20	4.90	0.78	1450	82.0/84.4/85.0	2142011
40/240-3/4	IE3	3.00	6.50	0.76	1450	85.9/87.9/87.7	2142012
40/265-3/4	IE3	3.00	6.50	0.76	1450	85.9/87.9/87.7	2142013
40/265-4/4	IE3	4.00	8.20	0.79	1450	85.8/87.6/88.0	2142014
50/160-1,1/4	IE3	1.10	2.30	0.82	1450	80.1/83.5/84.1	2121081
50/170-1,1/4	IE3	1.10	2.30	0.82	1450	80.1/83.5/84.1	2121082
50/170-1,5/4	IE3	1.50	3.60	0.71	1450	81.3/83.4/84.6	2121083

Observe motor name plate data

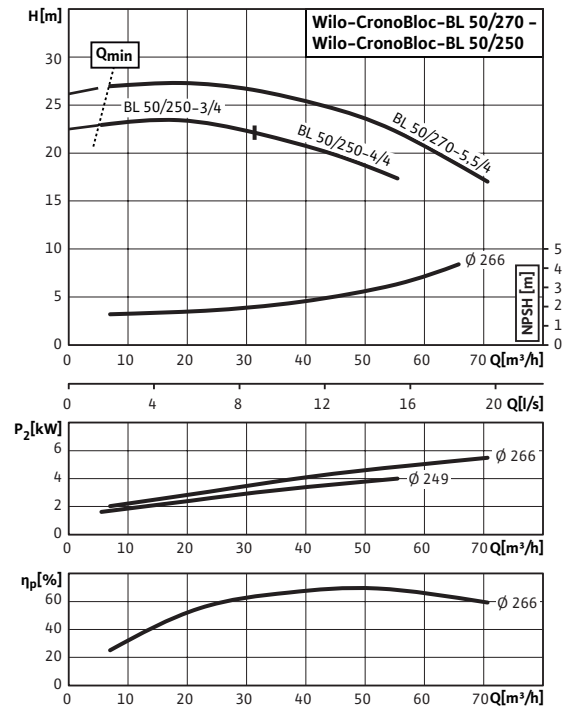
Pump curves

CronoBloc-BL 50/200-2,2/4 - 50/220-3/4 (4-pole, 50 Hz)

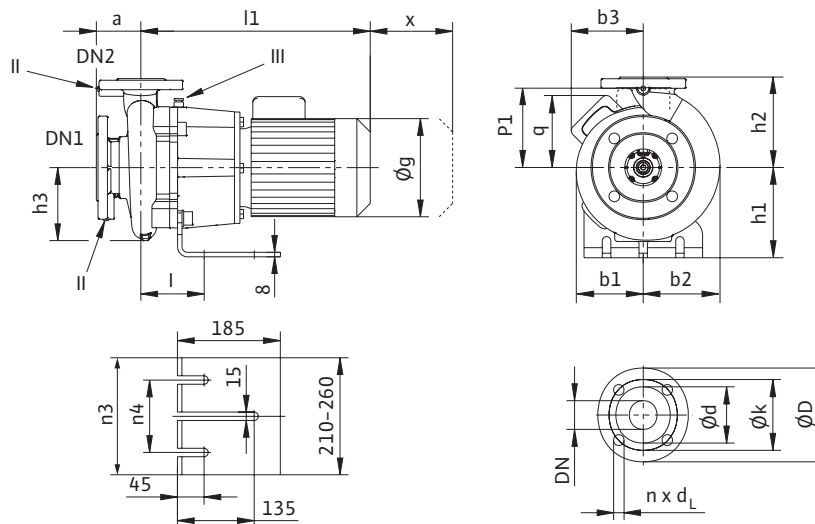


Pump curves

CronoBloc-BL 50/250-3/4 - 50/270-5,5/4 (4-pole, 50 Hz)



Dimension drawing



Dimensions, weights (4-pole)

Wilo-CronoBloc-BL...	Dimensions															Weight ap-prox. m kg
	a	b1	b2	b3	$\varnothing g$	H1	H2	H3 mm	l	l1	N3	N4	p1	q	x	
50/200-2,2/4	100	153	172	-	217	180	200	159	124	512	180	260	160	-	110	75
50/220-2,2/4	100	153	172	-	217	180	200	159	124	512	180	260	160	-	110	75
50/220-3/4	100	153	172	-	217	180	200	159	124	529	180	260	160	-	110	83
50/250-3/4	100	174	186	-	217	200	225	179	131	536	180	-	160	-	110	89
50/250-4/4	100	174	186	-	232	200	225	179	131	546	180	260	168	-	110	96

Flange dimensions (suction side)

Wilo-CronoBloc-BL...	Nominal diameter	Pump flange dimensions			
	DN1	$\varnothing D$	$\varnothing d$ mm	$\varnothing k$	$n \times d_L$ pcs. x mm
50...	65	185	118	145	4 x 19

Pump flange dimensions - according to EN 1092-2 PN 16; n = number of drilled holes

Flange dimensions (discharge side)

Wilo-CronoBloc-BL...	Nominal diameter	Pump flange dimensions			
	DN2	$\varnothing D$	$\varnothing d$ mm	$\varnothing k$	$n \times d_L$ pcs. x mm
50...	50	165	99	125	4 x 19

Pump flange dimensions - according to EN 1092-2 PN 16; n = number of drilled holes

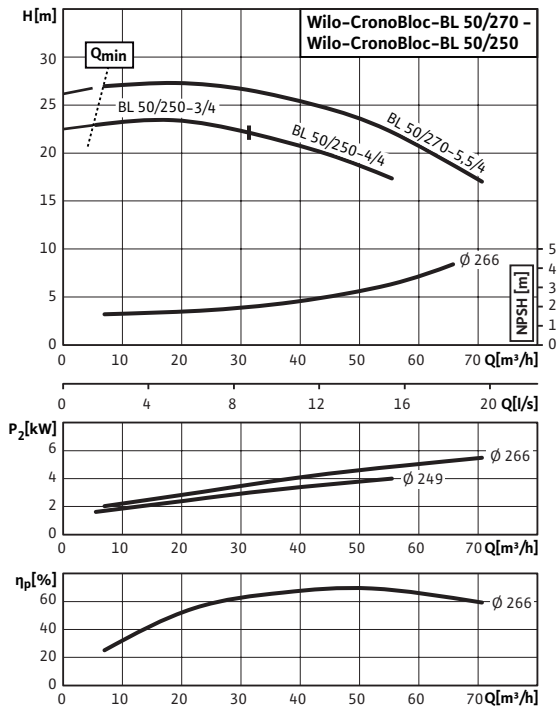
Motor data (4-pole), minimum efficiency index, article numbers

Wilo-CronoBloc-BL...	Motor efficiency level	Rated power	Rated current (approx.)	Power factor	Rated speed	Motor efficiency	Art no.
		P_2 kW	I_N 3~400 V A	$\cos \varphi$	n rpm	$\eta_{m 50\%} / \eta_{m 75\%} / \eta_{m 100\%}$ %	
50/200-2,2/4	IE3	2.20	4.90	0.78	1450	82.0/84.4/85.0	2121084
50/220-2,2/4	IE3	2.20	4.90	0.78	1450	82.0/84.4/85.0	2121085
50/220-3/4	IE3	3.00	6.50	0.76	1450	85.9/87.9/87.7	2121086
50/250-3/4	IE3	3.00	6.50	0.76	1450	85.9/87.9/87.7	2121087
50/250-4/4	IE3	4.00	8.20	0.79	1450	85.8/87.6/88.0	2121088

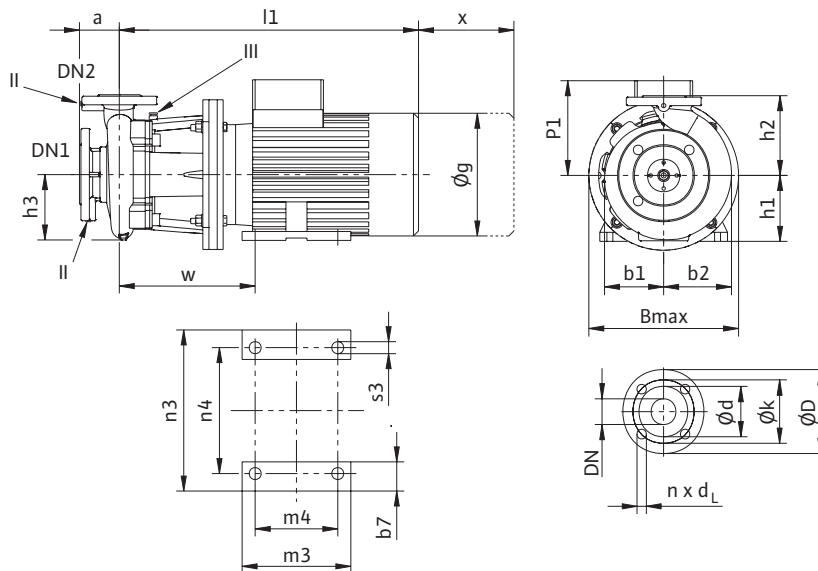
Observe motor name plate data

Pump curves

CronoBloc-BL 50/250-3/4 - 50/270-5,5/4 (4-pole, 50 Hz)



Dimension drawing



Dimensions, weights (4-pole)																			
Wilo-Crono-Bloc-BL...	Dimensions																		Weight approx.
	<i>a</i>	<i>B_{max}</i>	<i>b1</i>	<i>b2</i>	<i>b7</i>	$\varnothing g$	<i>H1</i>	<i>H2</i>	<i>H3</i>	<i>l1</i>	<i>M3</i>	<i>M4</i>	<i>N3</i>	<i>N4</i>	<i>p1</i>	<i>s3</i>	<i>w</i>	<i>x</i>	<i>m</i> kg
50/270-5,5/4	100	360	174	186	53	279	132	225	179	622	180	140	256	216	188	12	306	110	137

Flange dimensions (suction side)					
Wilo-CronoBloc-BL...	Nominal diameter	Pump flange dimensions			
	<i>DN1</i>	$\varnothing D$	$\varnothing d$ mm	$\varnothing k$	<i>n x d_L</i> pcs. x mm
50...	65	185	118	145	4 x 19

Pump flange dimensions - according to EN 1092-2 PN 16; n = number of drilled holes

Flange dimensions (discharge side)					
Wilo-CronoBloc-BL...	Nominal diameter	Pump flange dimensions			
	<i>DN2</i>	$\varnothing D$	$\varnothing d$ mm	$\varnothing k$	<i>n x d_L</i> pcs. x mm
50...	50	165	99	125	4 x 19

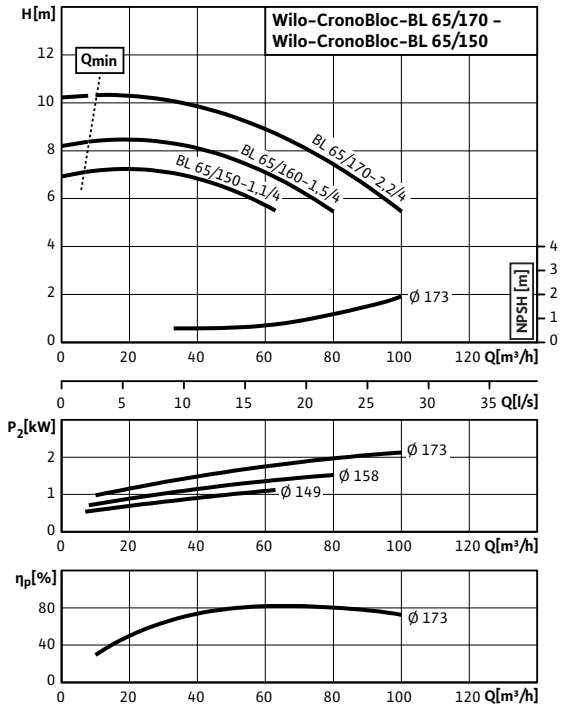
Pump flange dimensions - according to EN 1092-2 PN 16; n = number of drilled holes

Motor data (4-pole), minimum efficiency index, article numbers							
Wilo-CronoBloc-BL...	Motor efficiency level	Rated power	Rated current (approx.)	Power factor	Rated speed	Motor efficiency	Art no.
		<i>P₂</i> kW	<i>I_N</i> 3~400 V A	<i>cos φ</i>	<i>n</i> rpm	$\eta_{m50\%}/\eta_{m75\%}/\eta_{m100\%}$ %	
50/270-5,5/4	IE3	5.50	11.10	0.79	1450	86.8/89.0/89.5	2121089

Observe motor name plate data

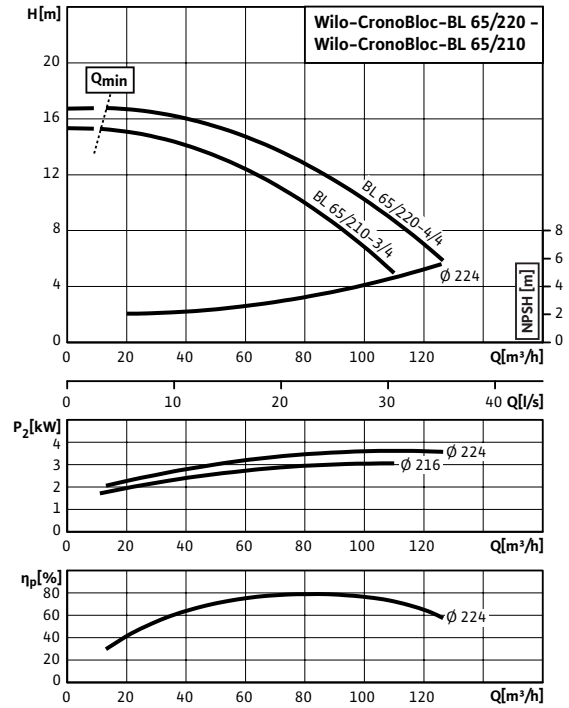
Pump curves

CronoBloc-BL 65/150-1,1/4 - 65/170-2,2/4 (4-pole, 50 Hz)

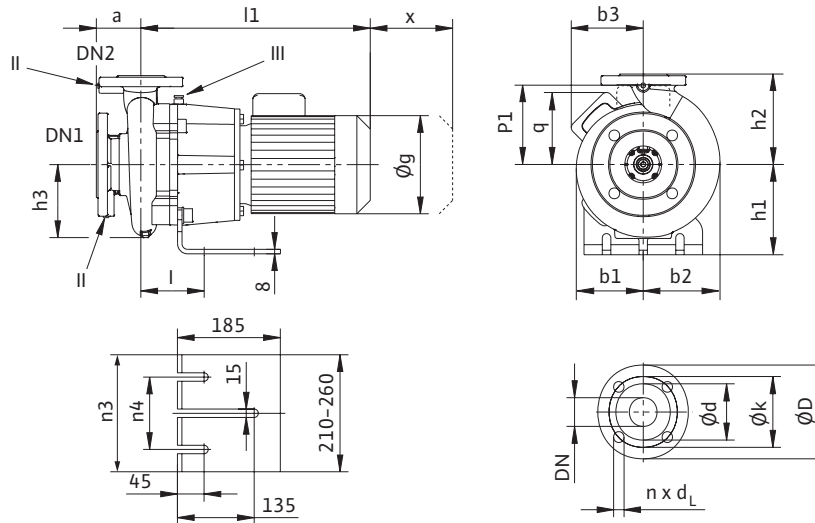


Pump curves

CronoBloc-BL 65/210-3/4 - 65/220-4/4 (4-pole, 50 Hz)



Dimension drawing



Dimensions, weights (4-pole)

Wilo-CronoBloc-BL...	Dimensions															Weight ap-prox. m kg
	a	b1	b2	b3	Øg	H1	H2	H3 mm	l	l1	N3	N4	p1	q	x	
65/150-1,1/4	100	136	162	144	193	160	200	155	130	463	130	210	-	144	120	64
65/160-1,5/4	100	136	162	144	193	160	200	155	130	479	130	210	-	144	120	66
65/170-2,2/4	100	136	162	150	217	160	200	155	130	524	130	210	-	150	120	76
65/210-3/4	100	156	181	-	217	200	225	170	139	543	180	260	160	-	120	89
65/220-4/4	100	156	181	-	232	200	225	170	139	553	180	260	168	-	120	96

Flange dimensions (suction side)

Wilo-CronoBloc-BL...	Nominal diameter	Pump flange dimensions			
	DN1	ØD	Ød mm	Øk	n x d _L pcs. x mm
65...	80	200	132	160	8 x 19

Pump flange dimensions - according to EN 1092-2 PN 16; n = number of drilled holes

Flange dimensions (discharge side)

Wilo-CronoBloc-BL...	Nominal diameter	Pump flange dimensions			
	DN2	ØD	Ød mm	Øk	n x d _L pcs. x mm
65...	65	185	118	145	4 x 19

Pump flange dimensions - according to EN 1092-2 PN 16; n = number of drilled holes

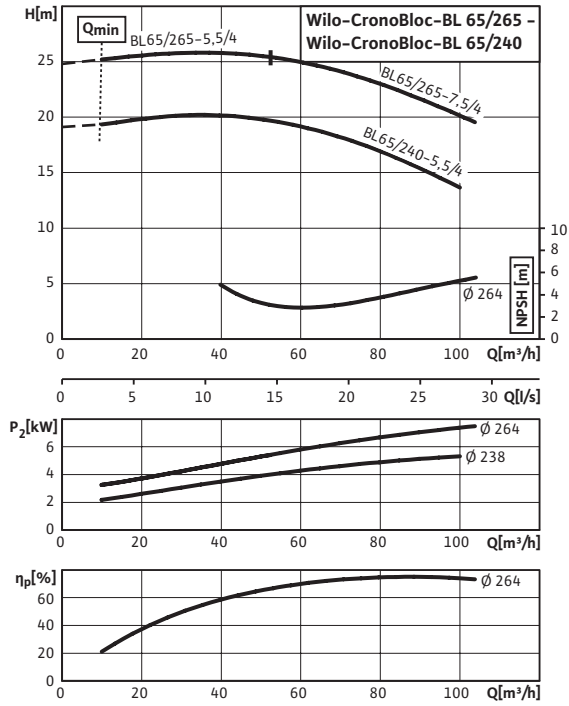
Motor data (4-pole), minimum efficiency index, article numbers

Wilo-CronoBloc-BL...	Motor efficiency level	Rated power	Rated current (approx.)	Power factor	Rated speed	Motor efficiency	Art no.
		P ₂ kW	I _N 3~400 V A	cos φ	n rpm	η _{m 50%} /η _{m 75%} /η _{m 100%} %	
65/150-1,1/4	IE3	1.10	2.30	0.82	1450	80.1/83.5/84.1	2121090
65/160-1,5/4	IE3	1.50	3.60	0.71	1450	81.3/83.4/84.6	2121091
65/170-2,2/4	IE3	2.20	4.90	0.78	1450	82.0/84.4/85.0	2121092
65/210-3/4	IE3	3.00	6.50	0.76	1450	85.9/87.9/87.7	2121093
65/220-4/4	IE3	4.00	8.20	0.79	1450	85.8/87.6/88.0	2121094

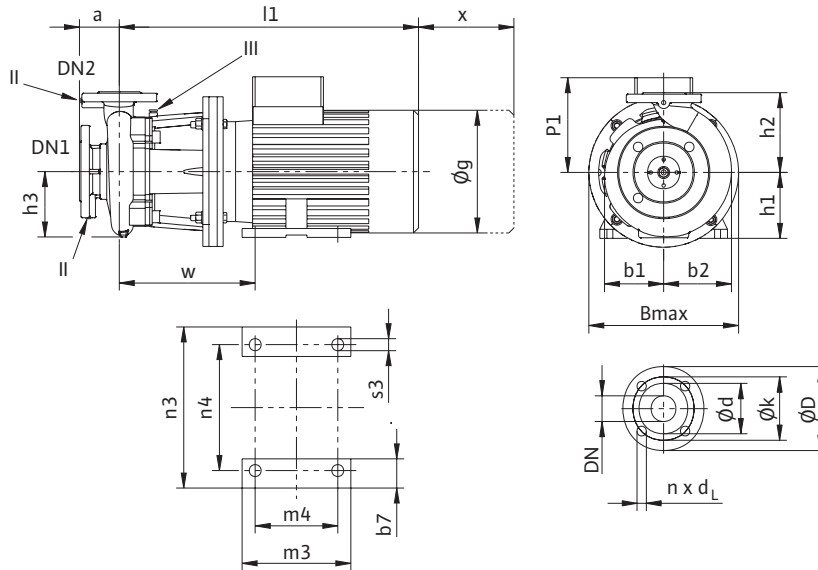
Observe motor name plate data

Pump curves

CronoBloc-BL 65/240-5,5/4 - 65/265-7,5/4 (4-pole, 50 Hz)



Dimension drawing



Dimensions, weights (4-pole)																			
Wilo-Crono-Bloc-BL...	Dimensions																	Weight approx.	
	a	B _{max}	b1	b2	b7	∅g	H1	H2	H3	l1	M3	M4	N3	N4	p1	s3	w	x	m kg
65/240-5,5/4	100	451	214	237	53	279	132	250	200	629	180	140	256	216	188	12	313	120	152
65/265-5,5/4	100	451	214	237	53	279	132	250	200	629	180	140	256	216	188	12	313	120	152
65/265-7,5/4	100	451	214	237	53	312	132	250	200	680	218	178	256	216	250	12	313	120	161

Flange dimensions (suction side)					
Wilo-CronoBloc-BL...	Nominal diameter	Pump flange dimensions			
	DN1	∅D	∅d mm	∅k	n x d _L pcs. x mm
65...	80	200	132	160	8 x 19

Pump flange dimensions - according to EN 1092-2 PN 16; n = number of drilled holes

Flange dimensions (discharge side)					
Wilo-CronoBloc-BL...	Nominal diameter	Pump flange dimensions			
	DN2	∅D	∅d mm	∅k	n x d _L pcs. x mm
65...	65	185	118	145	4 x 19

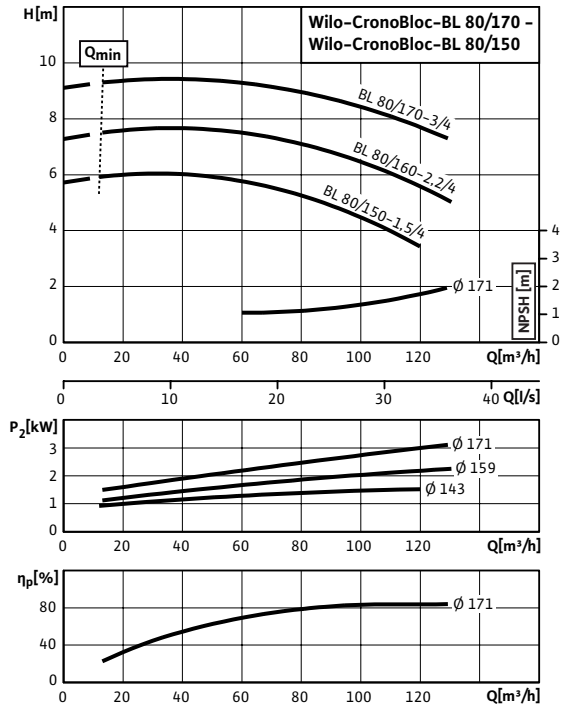
Pump flange dimensions - according to EN 1092-2 PN 16; n = number of drilled holes

Motor data (4-pole), minimum efficiency index, article numbers							
Wilo-CronoBloc-BL...	Motor efficiency level	Rated power	Rated current (approx.)	Power factor	Rated speed	Motor efficiency	Art no.
		P ₂ kW	I _N 3~400 V A	cos φ	n rpm	η _{m 50%} /η _{m 75%} /η _{m 100%} %	
65/240-5,5/4	IE3	5.50	11.10	0.79	1450	86.8/89.0/89.5	2142023
65/265-5,5/4	IE3	5.50	11.10	0.79	1450	86.8/89.0/89.5	2142024
65/265-7,5/4	IE3	7.50	14.90	0.81	1450	87.4/89.3/90.4	2142025

Observe motor name plate data

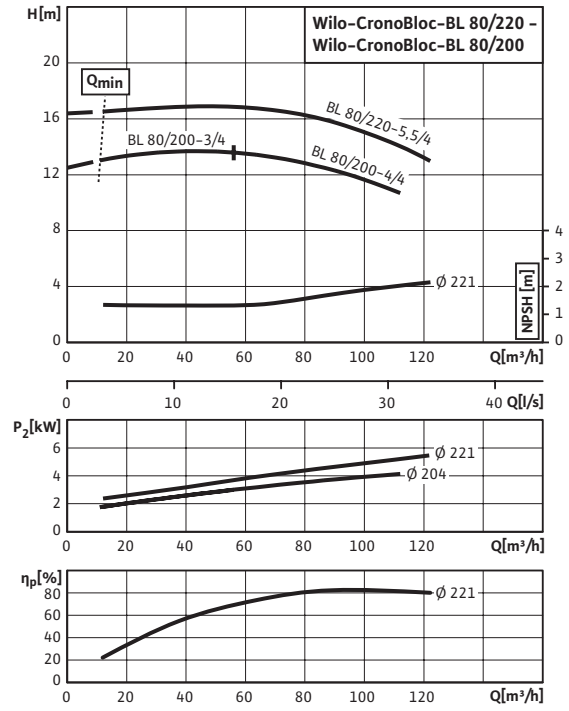
Pump curves

CronoBloc-BL 80/150-1,5/4 - 80/170-3/4 (4-pole, 50 Hz)

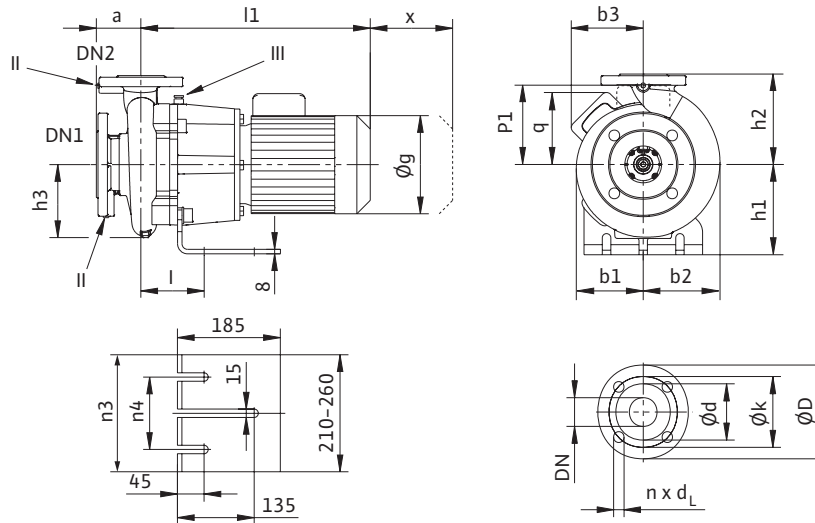


Pump curves

CronoBloc-BL 80/200-3/4 - 80/220-5,5/4 (4-pole, 50 Hz)



Dimension drawing



Dimensions, weights (4-pole)

Wilo-CronoBloc-BL...	Dimensions															Weight ap-prox. m kg
	a	b1	b2	b3	Øg	H1	H2	H3 mm	l	l1	N3	N4	p1	q	x	
80/150-1,5/4	125	160	196	144	193	180	225	178	137	486	130	210	-	144	135	77
80/160-2,2/4	125	160	196	150	217	180	225	178	137	531	130	210	-	150	135	85
80/170-3/4	125	160	196	150	217	180	225	178	137	548	130	210	-	150	135	95
80/200-3/4	125	170	197	-	217	200	250	178	143	548	180	260	160	-	120	99
80/200-4/4	125	170	197	-	232	200	250	178	143	558	180	260	168	-	120	106

Flange dimensions (suction side)

Wilo-CronoBloc-BL...	Nominal diameter	Pump flange dimensions			
	DN1	ØD	Ød mm	Øk	n x d _L pcs. x mm
80...	100	220	156	180	8 x 19

Pump flange dimensions - according to EN 1092-2 PN 16; n = number of drilled holes

Flange dimensions (discharge side)

Wilo-CronoBloc-BL...	Nominal diameter	Pump flange dimensions			
	DN2	ØD	Ød mm	Øk	n x d _L pcs. x mm
80...	80	200	132	160	8 x 19

Pump flange dimensions - according to EN 1092-2 PN 16; n = number of drilled holes

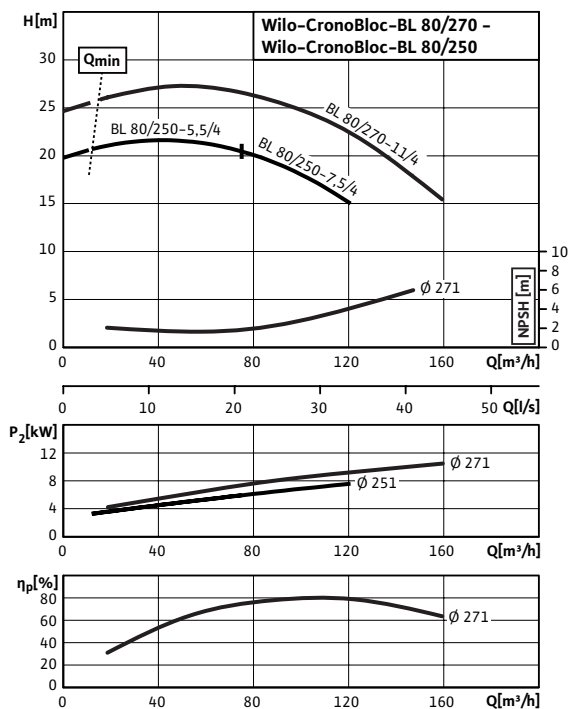
Motor data (4-pole), minimum efficiency index, article numbers

Wilo-CronoBloc-BL...	Motor efficiency level	Rated power	Rated current (approx.)	Power factor	Rated speed	Motor efficiency	Art no.
		P ₂ kW	I _N 3~400 V A	cos φ	n rpm	η _{m 50%} /η _{m 75%} /η _{m 100%} %	
80/150-1,5/4	IE3	1.50	3.60	0.71	1450	81.3/83.4/84.6	2121096
80/160-2,2/4	IE3	2.20	4.90	0.78	1450	82.0/84.4/85.0	2121097
80/170-3/4	IE3	3.00	6.50	0.76	1450	85.9/87.9/87.7	2121098
80/200-3/4	IE3	3.00	6.50	0.76	1450	85.9/87.9/87.7	2121099
80/200-4/4	IE3	4.00	8.20	0.79	1450	85.8/87.6/88.0	2121100

Observe motor name plate data

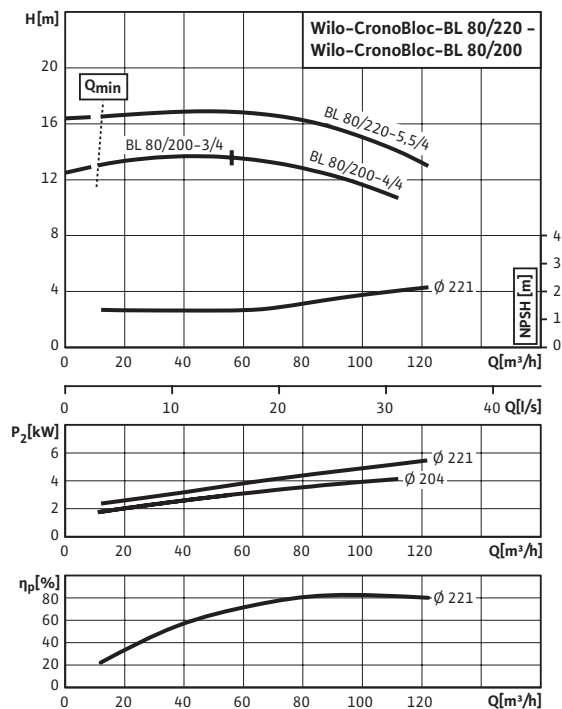
Pump curves

CronoBloc-BL 80/250-5,5/4 - 80/270-11/4 (4-pole, 50 Hz)

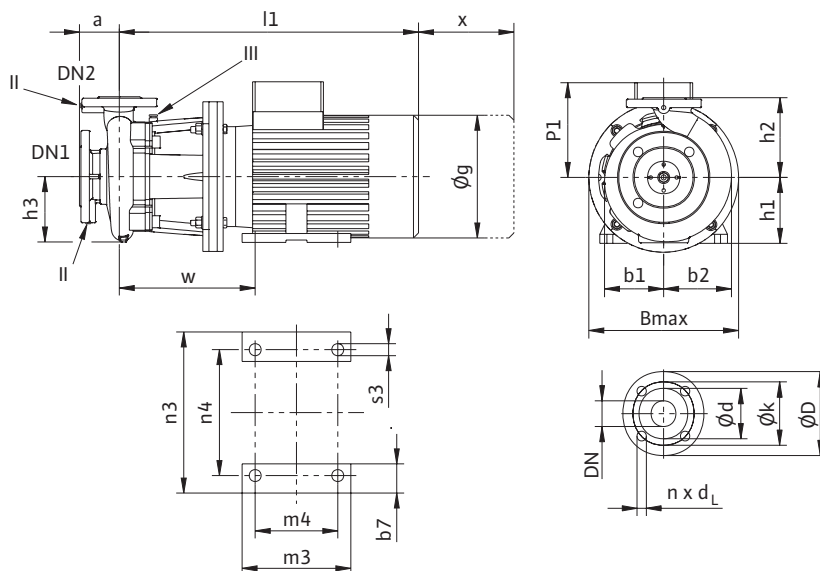


Pump curves

CronoBloc-BL 80/200-3/4 - 80/220-5,5/4 (4-pole, 50 Hz)



Dimension drawing



Dimensions, weights (4-pole)																			
Wilo-Crono-Bloc-BL...	Dimensions																	Weight approx.	
	a	B _{max}	b1	b2	b7	∅g	H1	H2	H3	l1	M3	M4	N3	N4	p1	s3	w	x	m kg
80/220-5,5/4	125	367	170	197	53	279	132	250	178	634	180	140	256	216	188	12	318	120	144
80/250-5,5/4	125	410	192	218	53	279	132	280	199	625	180	140	256	216	188	12	309	120	155
80/250-7,5/4	125	410	192	218	53	312	132	280	199	676	218	178	256	216	250	12	309	120	164
80/270-11/4	125	410	192	218	60	312	160	280	199	731	256	210	300	254	250	15	369	120	191

Flange dimensions (suction side)					
Wilo-CronoBloc-BL...	Nominal diameter	Pump flange dimensions			
	DN1	∅D	∅d mm	∅k	n x d _L pcs. x mm
80...	100	220	156	180	8 x 19

Pump flange dimensions - according to EN 1092-2 PN 16; n = number of drilled holes

Flange dimensions (discharge side)					
Wilo-CronoBloc-BL...	Nominal diameter	Pump flange dimensions			
	DN2	∅D	∅d mm	∅k	n x d _L pcs. x mm
80...	80	200	132	160	8 x 19

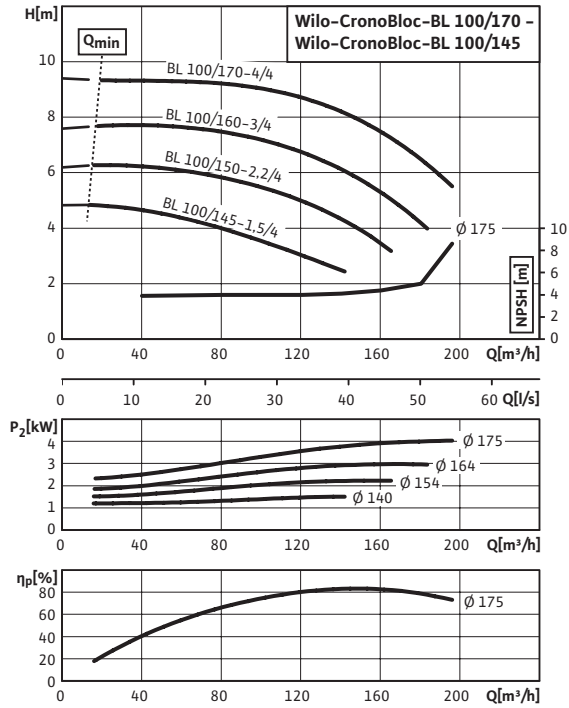
Pump flange dimensions - according to EN 1092-2 PN 16; n = number of drilled holes

Motor data (4-pole), minimum efficiency index, article numbers							
Wilo-CronoBloc-BL...	Motor efficiency level	Rated power	Rated current (approx.)	Power factor	Rated speed	Motor efficiency	Art no.
		P ₂ kW	I _N 3~400 V A	cos φ	n rpm	η _{m50%} /η _{m75%} /η _{m100%} %	
80/220-5,5/4	IE3	5.50	11.10	0.79	1450	86.8/89.0/89.5	2121101
80/250-5,5/4	IE3	5.50	11.10	0.79	1450	86.8/89.0/89.5	2121102
80/250-7,5/4	IE3	7.50	14.90	0.81	1450	87.4/89.3/90.4	2121103
80/270-11/4	IE3	11.00	22.00	0.80	1450	90.1/91.6/91.4	2121104

Observe motor name plate data

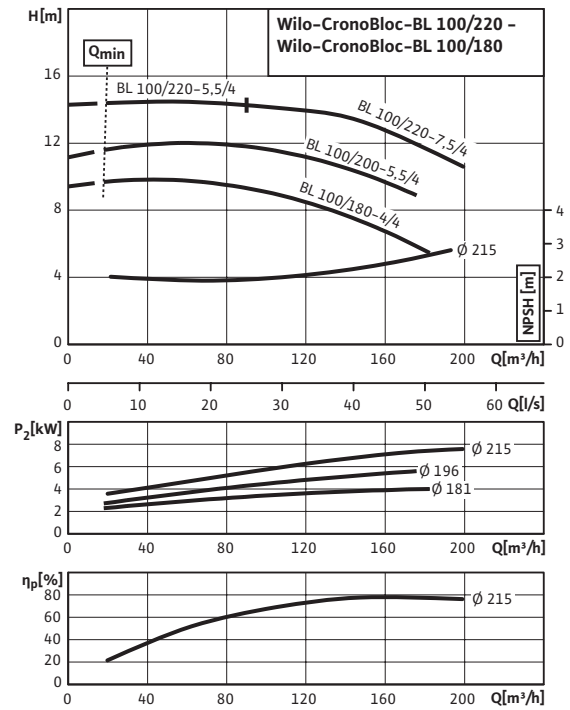
Pump curves

CronoBloc-BL 100/145-1,5/4 - 100/170-4/4 (4-pole, 50 Hz)

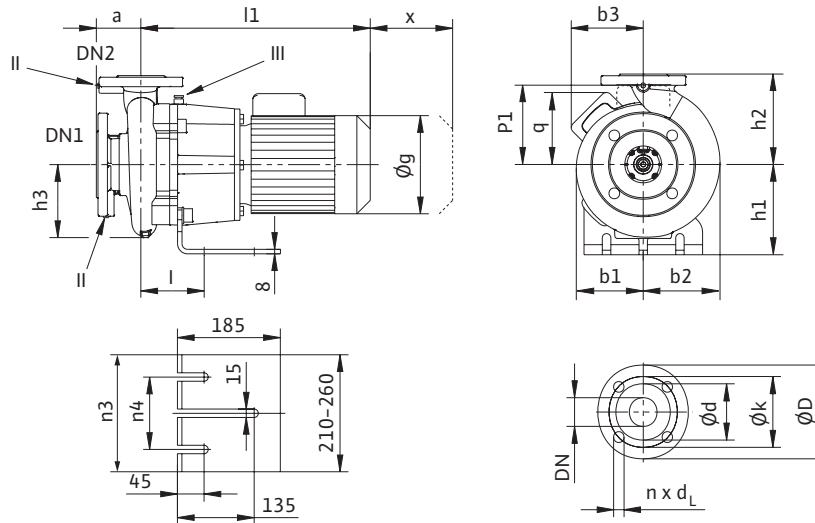


Pump curves

CronoBloc-BL 100/180-4/4 - 100/220-7,5/4 (4-pole, 50 Hz)



Dimension drawing



Dimensions, weights (4-pole)

Wilo-CronoBloc-BL...	Dimensions															Weight ap-prox. m kg
	a	b1	b2	b3	Øg	H1	H2	H3 mm	l	l1	N3	N4	p1	q	x	
100/145-1,5/4	125	167	206	144	193	200	280	189	147	497	130	210	-	144	140	85
100/150-2,2/4	125	167	206	150	217	200	280	189	147	541	130	210	-	150	140	95
100/160-3/4	125	167	206	150	217	200	280	189	147	558	130	210	-	150	140	103
100/170-4/4	125	167	206	156	232	200	280	189	147	568	130	210	-	156	140	110
100/180-4/4	125	176	211	-	232	200	280	196	156	571	180	260	168	-	120	110

Flange dimensions (suction side)

Wilo-CronoBloc-BL...	Nominal diameter	Pump flange dimensions			
	DN1	ØD	Ød mm	Øk	n x d _L pcs. x mm
100...	125	250	184	210	8 x 19

Pump flange dimensions - according to EN 1092-2 PN 16; n = number of drilled holes

Flange dimensions (discharge side)

Wilo-CronoBloc-BL...	Nominal diameter	Pump flange dimensions			
	DN2	ØD	Ød mm	Øk	n x d _L pcs. x mm
100...	100	220	156	180	8 x 19

Pump flange dimensions - according to EN 1092-2 PN 16; n = number of drilled holes

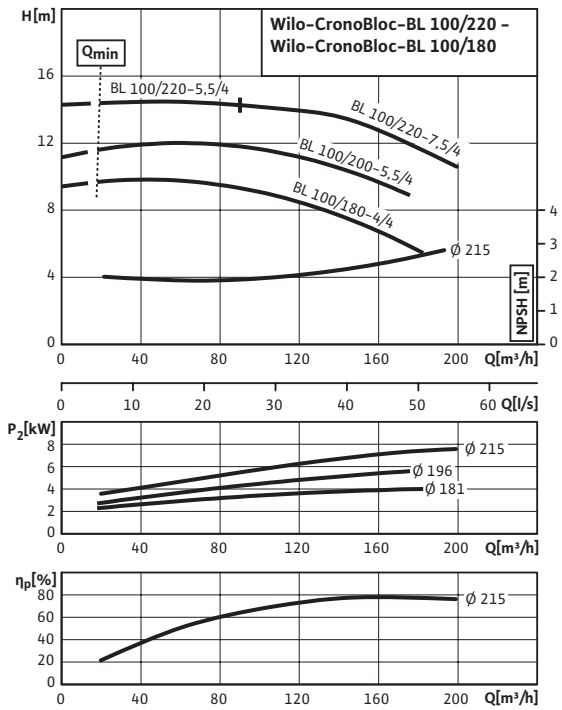
Motor data (4-pole), minimum efficiency index, article numbers

Wilo-CronoBloc-BL...	Motor efficiency level	Rated power	Rated current (approx.)	Power factor	Rated speed	Motor efficiency	Art no.
		P ₂ kW	I _N 3~400 V A	cos φ	n rpm	η _{m 50%} /η _{m 75%} /η _{m 100%} %	
100/145-1,5/4	IE3	1.50	3.60	0.71	1450	81.3/83.4/84.6	2121105
100/150-2,2/4	IE3	2.20	4.90	0.78	1450	82.0/84.4/85.0	2121106
100/160-3/4	IE3	3.00	6.50	0.76	1450	85.9/87.9/87.7	2121107
100/170-4/4	IE3	4.00	8.20	0.79	1450	85.8/87.6/88.0	2121108
100/180-4/4	IE3	4.00	8.20	0.79	1450	85.8/87.6/88.0	2121109

Observe motor name plate data

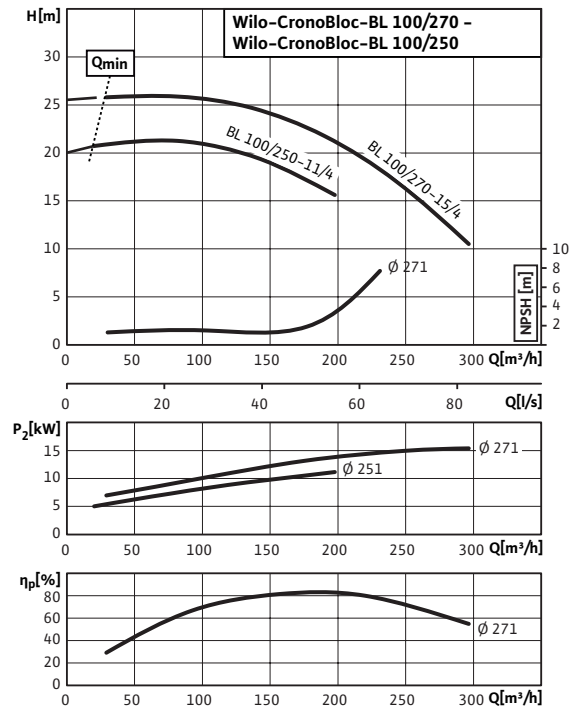
Pump curves

CronoBloc-BL 100/180-4/4 - 100/220-7,5/4 (4-pole, 50 Hz)

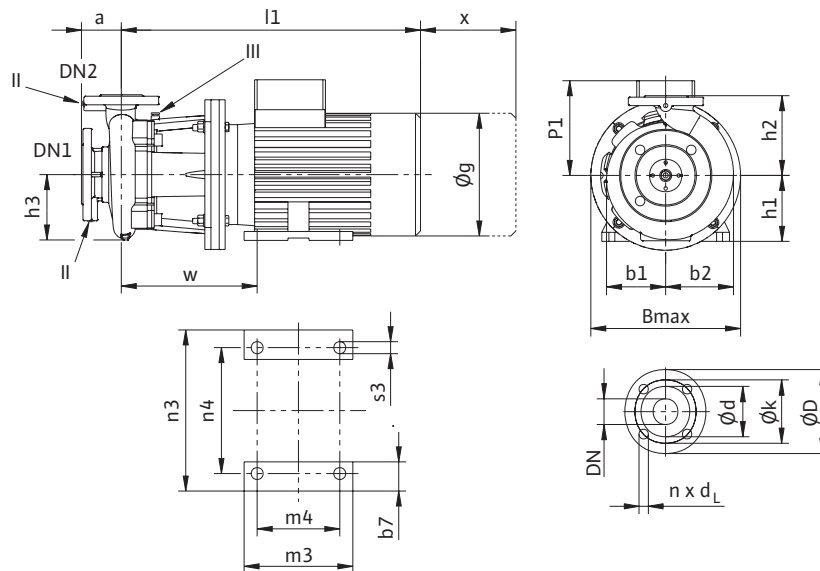


Pump curves

CronoBloc-BL 100/250-11/4 - 100/270-15/4 (4-pole, 50 Hz)



Dimension drawing



Dimensions, weights (4-pole)																			
Wilo-Crono-Bloc-BL...	Dimensions																		Weight approx.
	a	B _{max}	b1	b2	b7	∅g	H1	H2	H3	l1	M3	M4	N3	N4	p1	s3	w	x	m
mm																			
100/200-5,5/4	125	387	176	211	53	279	132	280	196	647	180	140	256	216	188	12	331	120	150
100/220-5,5/4	125	387	176	211	53	279	132	280	196	647	180	140	256	216	188	12	331	120	150
100/220-7,5/4	125	387	176	211	53	312	132	280	196	698	218	178	256	216	250	12	331	120	159
100/250-11/4	140	432	200	232	60	312	160	280	219	745	256	210	300	254	250	15	383	130	205
100/270-15/4	140	432	200	232	60	312	160	280	219	792	300	254	300	254	250	15	383	130	228

Flange dimensions (suction side)					
Wilo-CronoBloc-BL...	Nominal diameter	Pump flange dimensions			
	DN1	∅D	∅d	∅k	n x d _L
		mm		pcs. x mm	
100...	125	250	184	210	8 x 19

Pump flange dimensions - according to EN 1092-2 PN 16; n = number of drilled holes

Flange dimensions (discharge side)					
Wilo-CronoBloc-BL...	Nominal diameter	Pump flange dimensions			
	DN2	∅D	∅d	∅k	n x d _L
		mm		pcs. x mm	
100...	100	220	156	180	8 x 19

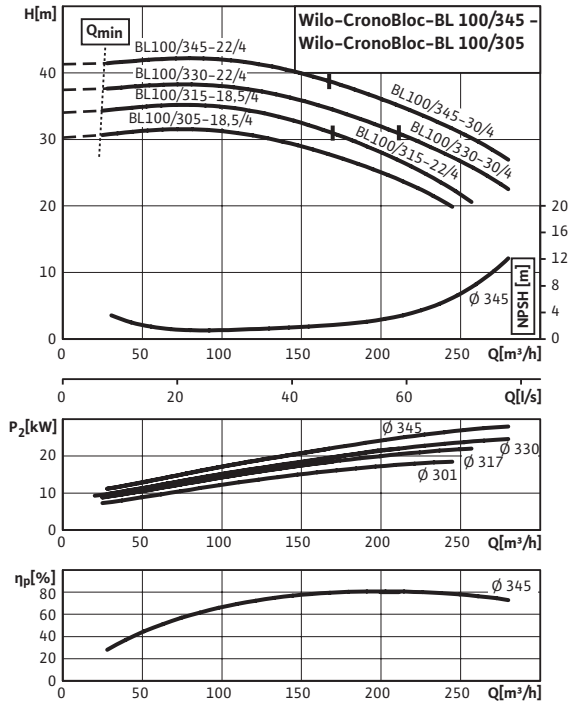
Pump flange dimensions - according to EN 1092-2 PN 16; n = number of drilled holes

Motor data (4-pole), minimum efficiency index, article numbers							
Wilo-CronoBloc-BL...	Motor efficiency level	Rated power	Rated current (approx.)	Power factor	Rated speed	Motor efficiency	Art no.
		P ₂ kW	I _N 3~400 V A	cos φ	n rpm	η _{m 50%} /η _{m 75%} /η _{m 100%} %	
100/200-5,5/4	IE3	5.50	11.10	0.79	1450	86.8/89.0/89.5	2121110
100/220-5,5/4	IE3	5.50	11.10	0.79	1450	86.8/89.0/89.5	2121111
100/220-7,5/4	IE3	7.50	14.90	0.81	1450	87.4/89.3/90.4	2121112
100/250-11/4	IE3	11.00	22.00	0.80	1450	90.1/91.6/91.4	2121113
100/270-15/4	IE3	15.00	29.80	0.81	1450	90.7/91.7/92.1	2121114

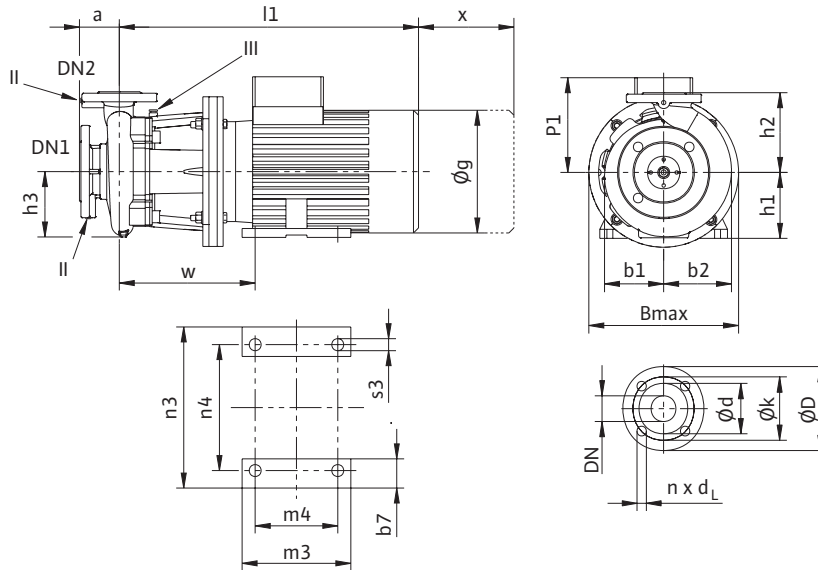
Observe motor name plate data

Pump curves

CronoBloc-BL 100/305-18,5/4 - 100/345-30/4 (4-pole, 50 Hz)



Dimension drawing



Dimensions, weights (4-pole)																			
Wilo-Crono-Bloc-BL...	Dimensions																	Weight approx.	
	a	B _{max}	b1	b2	b7	∅g	H1	H2	H3	l1	M3	M4	N3	N4	p1	s3	w	x	m kg
100/305-18,5/4	140	560	263	297	70	349	180	315	250	889	287	241	339	279	272	15	431	145	332
100/315-18,5/4	140	560	263	297	70	349	180	315	250	889	287	241	339	279	272	15	431	145	332
100/315-22/4	140	560	263	297	70	349	180	315	250	889	325	279	339	279	272	15	431	145	355
100/330-22/4	140	560	263	297	70	349	180	315	250	889	325	279	339	279	272	15	431	145	355
100/330-30/4	140	560	263	297	83	356	200	315	250	952	355	305	388	318	299	19	443	145	421
100/345-22/4	140	560	263	297	70	349	180	315	250	889	325	279	339	279	272	15	431	145	355
100/345-30/4	140	560	263	297	83	356	200	315	250	952	355	305	388	318	299	19	443	145	421

Flange dimensions (suction side)					
Wilo-CronoBloc-BL...	Nominal diameter	Pump flange dimensions			
	DN1	∅D	∅d mm	∅k	n x d _L pcs. x mm
100...	125	250	184	210	8 x 19

Pump flange dimensions - according to EN 1092-2 PN 16; n = number of drilled holes

Flange dimensions (discharge side)					
Wilo-CronoBloc-BL...	Nominal diameter	Pump flange dimensions			
	DN2	∅D	∅d mm	∅k	n x d _L pcs. x mm
100...	100	220	156	180	8 x 19

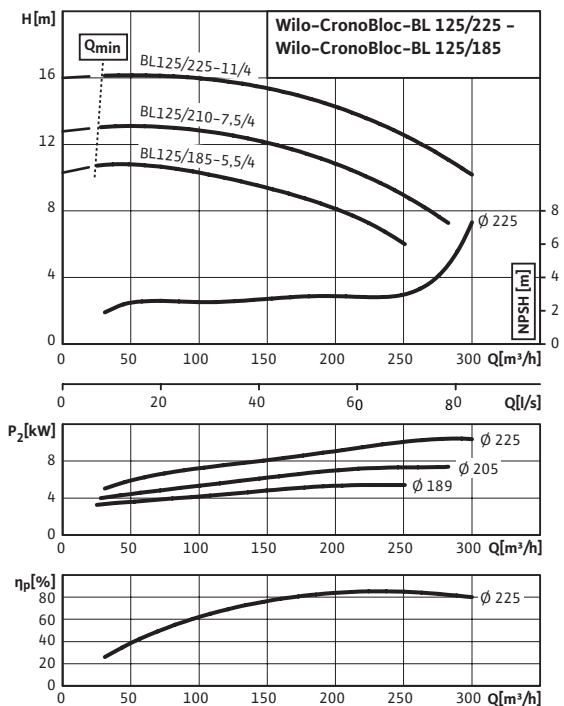
Pump flange dimensions - according to EN 1092-2 PN 16; n = number of drilled holes

Motor data (4-pole), minimum efficiency index, article numbers							
Wilo-CronoBloc-BL...	Motor efficiency level	Rated power	Rated current (approx.)	Power factor	Rated speed	Motor efficiency	Art no.
		P ₂ kW	I _N 3~400 V A	cos φ	n rpm	η _{m 50%} /η _{m 75%} /η _{m 100%} %	
100/305-18,5/4	IE3	18.50	34.30	0.83	1450	91.7/92.5/92.6	2142026
100/315-18,5/4	IE3	18.50	34.30	0.83	1450	91.7/92.5/92.6	2142027
100/315-22/4	IE3	22.00	40.20	0.85	1450	92.0/93.0/93.0	2142028
100/330-22/4	IE3	22.00	40.20	0.85	1450	92.0/93.0/93.0	2142029
100/330-30/4	IE3	30.00	55.50	0.86	1450	92.2/93.0/93.6	2142030
100/345-22/4	IE3	22.00	40.20	0.85	1450	92.0/93.0/93.0	2142031
100/345-30/4	IE3	30.00	55.50	0.86	1450	92.2/93.0/93.6	2142032

Observe motor name plate data

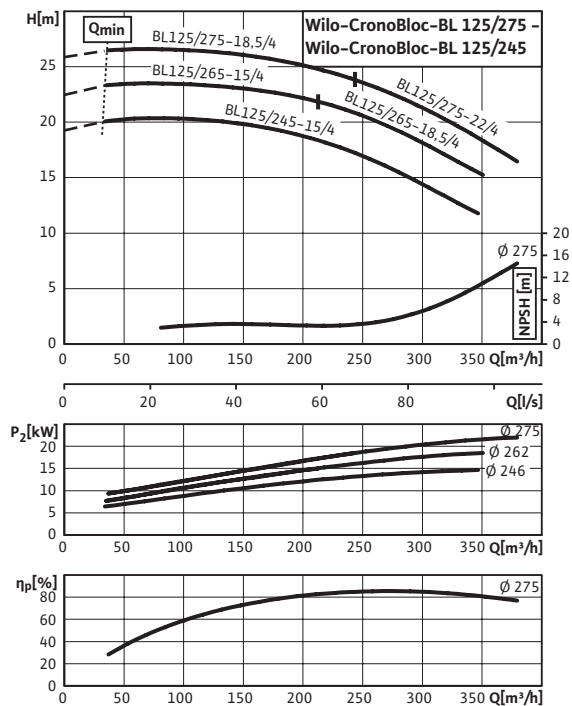
Pump curves

CronoBloc-BL 125/185-5,5/4 - 125/225-11/4 (4-pole, 50 Hz)

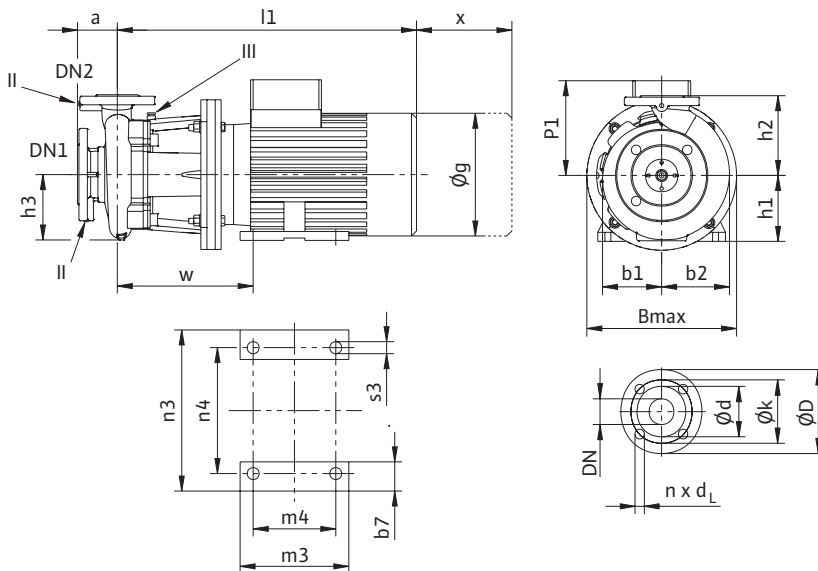


Pump curves

CronoBloc-BL 125/245-15/4 - 125/275-22/4 (4-pole, 50 Hz)



Dimension drawing



Dimensions, weights (4-pole)																			
Wilo-CronoBloc-BL...	Dimensions																	Weight approx.	
	a	B _{max}	b1	b2	b7	∅g	H1	H2	H3	l1	M3	M4	N3	N4	p1	s3	w	x	m kg
125/185-5,5/4	140	513	232	280	53	279	132	315	232	659	180	140	256	216	188	12	343	160	185
125/210-7,5/4	140	513	232	280	53	312	132	315	232	710	218	178	256	216	250	12	343	160	194
125/225-11/4	140	513	232	280	60	312	160	315	232	766	256	210	300	254	250	15	404	160	221
125/245-15/4	140	546	252	294	60	312	160	355	250	831	300	254	300	254	250	15	435	170	267
125/265-15/4	140	546	252	294	60	312	180	355	250	831	300	254	300	254	250	15	435	170	267
125/265-18,5/4	140	546	252	294	70	349	180	355	250	893	287	241	339	279	272	15	435	170	328
125/275-18,5/4	140	546	252	294	70	349	180	355	250	893	287	241	339	279	272	15	435	170	328
125/275-22/4	140	546	252	294	70	349	180	355	250	893	325	279	339	279	272	15	435	170	351

Flange dimensions (suction side)					
Wilo-CronoBloc-BL...	Nominal diameter	Pump flange dimensions			
	DN1	∅D	∅d mm	∅k	n x d _L pcs. x mm
125...	150	285	211	240	8 x 23

Pump flange dimensions - according to EN 1092-2 PN 16; n = number of drilled holes

Flange dimensions (discharge side)					
Wilo-CronoBloc-BL...	Nominal diameter	Pump flange dimensions			
	DN2	∅D	∅d mm	∅k	n x d _L pcs. x mm
125...	125	250	184	210	8 x 19

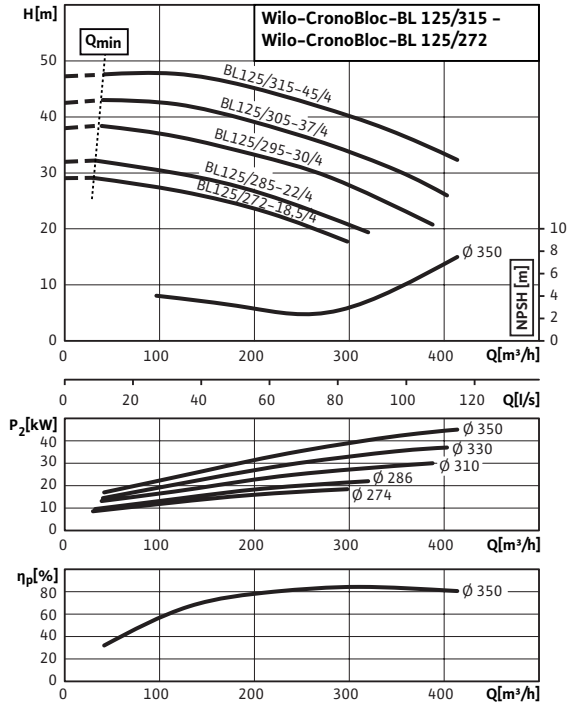
Pump flange dimensions - according to EN 1092-2 PN 16; n = number of drilled holes

Motor data (4-pole), minimum efficiency index, article numbers							
Wilo-CronoBloc-BL...	Motor efficiency level	Rated power	Rated current (approx.)	Power factor	Rated speed	Motor efficiency	Art no.
		P ₂ kW	I _N 3~400 V A	cos φ	n rpm	η _{m 50%} /η _{m 75%} /η _{m 100%} %	
125/185-5,5/4	IE3	5.50	11.10	0.79	1450	86.8/89.0/89.5	2142033
125/210-7,5/4	IE3	7.50	14.90	0.81	1450	87.4/89.3/90.4	2142034
125/225-11/4	IE3	11.00	22.00	0.80	1450	90.1/91.6/91.4	2142035
125/245-15/4	IE3	15.00	29.80	0.81	1450	90.7/91.7/92.1	2142036
125/265-15/4	IE3	15.00	29.80	0.81	1450	90.7/91.7/92.1	2142037
125/265-18,5/4	IE3	18.50	34.30	0.83	1450	91.7/92.5/92.6	2142038
125/275-18,5/4	IE3	18.50	34.30	0.83	1450	91.7/92.5/92.6	2142039
125/275-22/4	IE3	22.00	40.20	0.85	1450	92.0/93.0/93.0	2142040

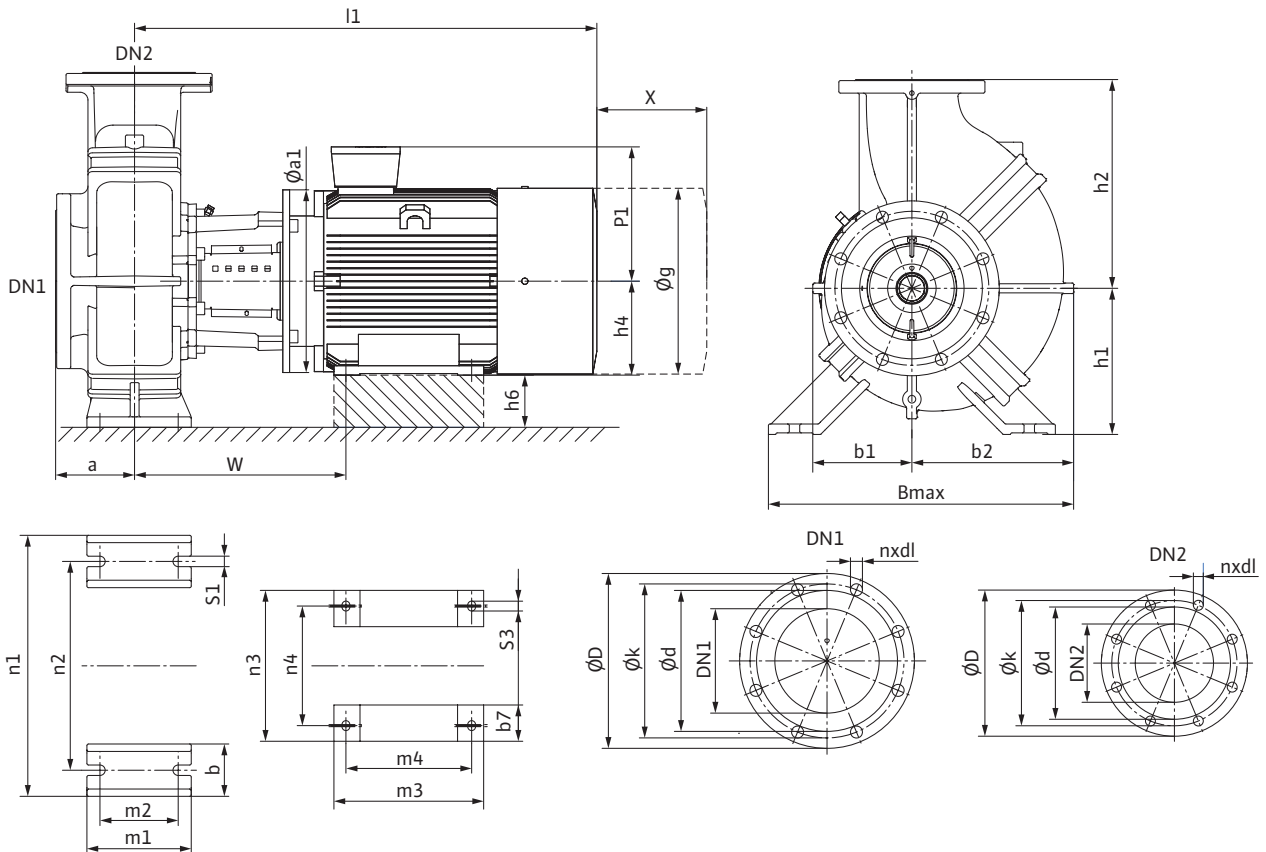
Observe motor name plate data

Pump curves

CronoBloc-BL 125/272-18,5/4 - 125/315-45/4 (4-pole, 50 Hz)



Dimension drawing



Dimensions, weights (4-pole)														
Wilo-CronoBloc-BL...	Dimensions												Weight approx.	
	<i>a</i>	$\varnothing A1$	B_{max}	<i>b1</i>	<i>b2</i>	$\varnothing g$	<i>H1</i>	<i>H2</i>	<i>h6</i>	<i>l1</i>	<i>w</i>	<i>x</i>	<i>m</i>	
	mm													kg
125/272-18,5/4	140	350	521	250	271	349	280	355	100	881	423	167	358	
125/285-22/4	140	350	521	250	271	349	280	355	100	881	423	167	381	
125/295-30/4	140	400	521	250	271	356	280	355	80	944	435	167	440	
125/305-37/4	140	450	521	250	271	456	280	355	55	1121	612	167	567	
125/315-45/4	140	450	521	250	271	456	280	355	55	1181	612	167	548	

Dimensions, weights (4-pole)													
Wilo-CronoBloc-BL...	Dimensions												
	<i>B</i>	<i>b7</i>	<i>M1</i>	<i>M2</i>	<i>M3</i>	<i>M4</i>	<i>N1</i>	<i>N2</i>	<i>N3</i>	<i>N4</i>	<i>s1</i>	<i>s3</i>	
	mm												
125/272-18,5/4	100	85	200	150	300	241	500	400	352	279	24	14	
125/285-22/4	100	74	200	150	340	279	500	400	352	279	24	14	
125/295-30/4	100	89	200	150	380	305	500	400	403	318	24	19	
125/305-37/4	100	108	200	150	341	286	500	400	440	356	24	19	
125/315-45/4	100	108	200	150	366	311	500	400	440	356	24	19	

Flange dimensions (suction side)						
Wilo-CronoBloc-BL...	Nominal diameter		Pump flange dimensions			
	<i>DN1</i>	$\varnothing D$	$\varnothing d$	$\varnothing k$	<i>n x d_L</i>	
			mm		pcs. x mm	
125...	150	285	211	240	8 x 23	

Pump flange dimensions - according to EN 1092-2 PN 16; n = number of drilled holes

Flange dimensions (discharge side)						
Wilo-CronoBloc-BL...	Nominal diameter		Pump flange dimensions			
	<i>DN2</i>	$\varnothing D$	$\varnothing d$	$\varnothing k$	<i>n x d_L</i>	
			mm		pcs. x mm	
125...	125	250	184	210	8 x 19	

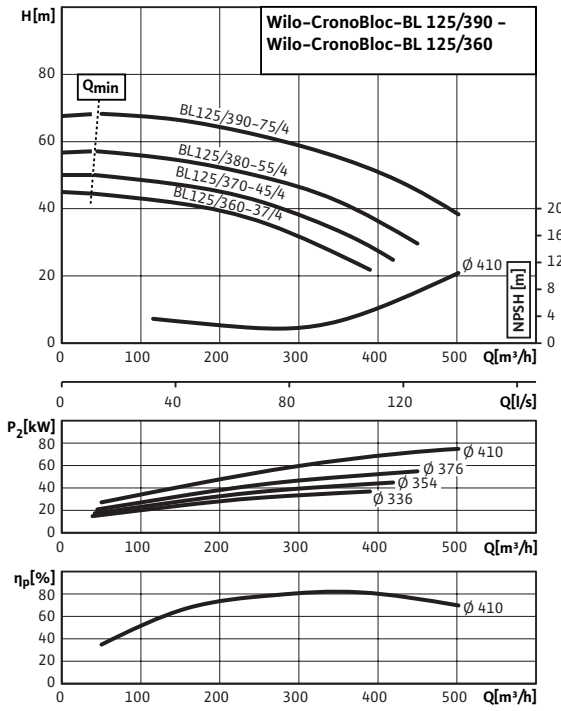
Pump flange dimensions - according to EN 1092-2 PN 16; n = number of drilled holes

Motor data (4-pole), minimum efficiency index, article numbers							
Wilo-CronoBloc-BL...	Motor efficiency level	Rated power	Rated current (approx.)	Power factor	Rated speed	Motor efficiency	Art no.
		P_2	I_N	$\cos \varphi$	<i>n</i>	$\eta_{m 50\%} / \eta_{m 75\%} / \eta_{m 100\%}$	
		kW	3~400 V A		rpm	%	
125/272-18,5/4	IE3	18.50	37.30	0.80	1450	90.2/91.1/91.2	2160681
125/285-22/4	IE3	22.00	41.50	0.85	1450	90.6/91.5/91.6	2160680
125/295-30/4	IE3	30.00	55.70	0.85	1450	91.1/92.1/92.3	2160679
125/305-37/4	IE3	37.00	71.30	0.84	1450	90.9/92.6/93.9	2160678
125/315-45/4	IE3	45.00	83.10	0.83	1450	91.7/93.2/94.2	2160677

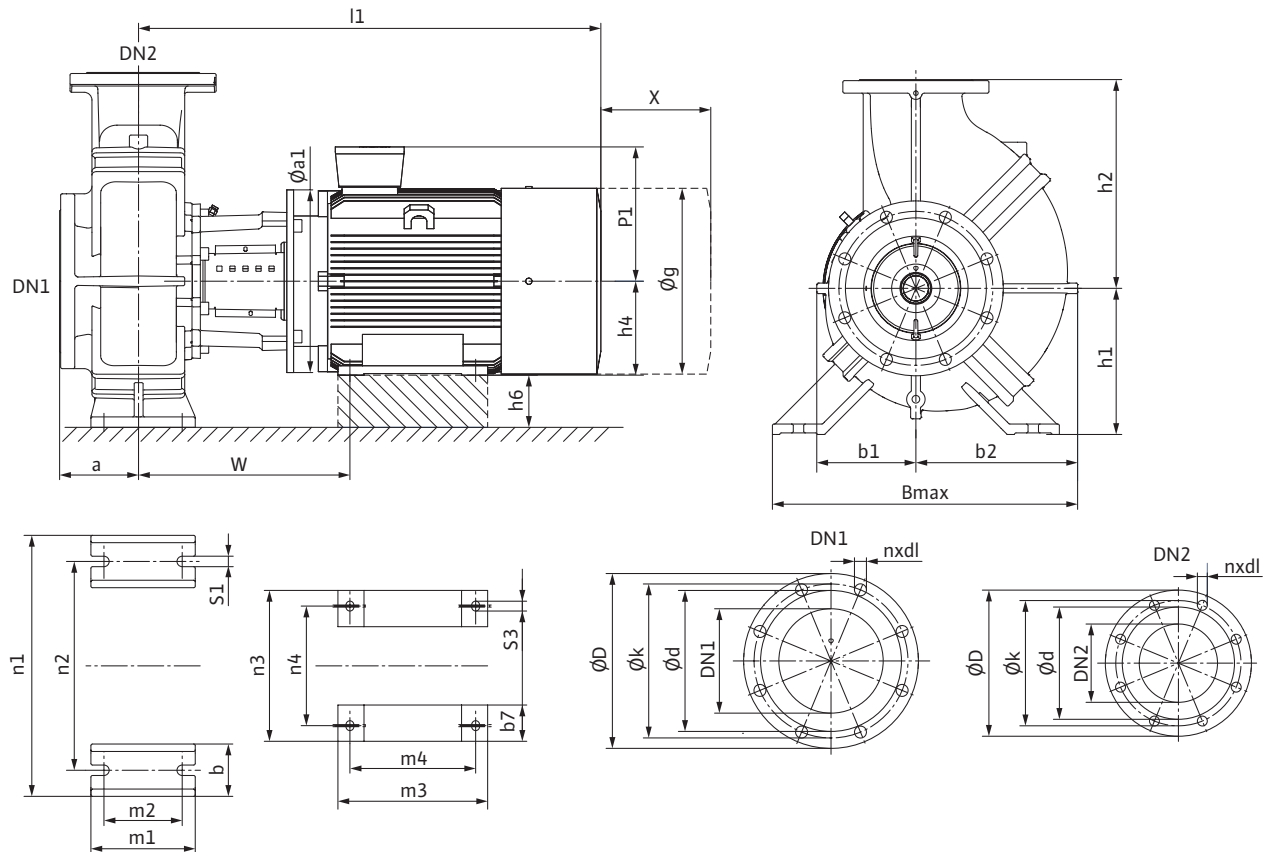
Observe motor name plate data

Pump curves

CronoBloc-BL 125/360-37/4 - 125/390-75/4 (4-pole, 50 Hz)



Dimension drawing



Dimensions, weights (4-pole)													
Wilo-CronoBloc-BL...	Dimensions												Weight approx.
	<i>a</i>	$\varnothing A1$	B_{max}	<i>b1</i>	<i>b2</i>	$\varnothing g$	<i>H1</i>	<i>H2</i>	<i>h6</i>	<i>l1</i>	<i>w</i>	<i>x</i>	<i>m</i>
	mm												kg
125/360-37/4	140	450	588	276	312	456	315	400	90	1121	612	170	635
125/370-45/4	140	450	588	276	312	456	315	400	90	1181	612	170	616
125/380-55/4	140	550	588	276	312	522	315	400	65	1216	631	170	790
125/390-75/4	140	550	588	276	312	527	315	400	35	1348	653	170	821

Dimensions, weights (4-pole)													
Wilo-CronoBloc-BL...	Dimensions												
	<i>B</i>	<i>b7</i>	<i>M1</i>	<i>M2</i>	<i>M3</i>	<i>M4</i>	<i>N1</i>	<i>N2</i>	<i>N3</i>	<i>N4</i>	<i>s1</i>	<i>s3</i>	
	mm												
125/360-37/4	100	108	200	150	341	286	500	400	440	356	24	19	
125/370-45/4	100	108	200	150	366	311	500	400	440	356	24	19	
125/380-55/4	100	113	200	150	444	349	500	400	490	406	24	24	
125/390-75/4	100	125	200	150	439	368	500	400	536	457	24	24	

Flange dimensions (suction side)						
Wilo-CronoBloc-BL...	Nominal diameter		Pump flange dimensions			
	<i>DN1</i>	$\varnothing D$	$\varnothing d$	$\varnothing k$	<i>n x d_L</i>	
			mm		pcs. x mm	
125...	150	285	211	240	8 x 23	

Pump flange dimensions - according to EN 1092-2 PN 16; n = number of drilled holes

Flange dimensions (discharge side)						
Wilo-CronoBloc-BL...	Nominal diameter		Pump flange dimensions			
	<i>DN2</i>	$\varnothing D$	$\varnothing d$	$\varnothing k$	<i>n x d_L</i>	
			mm		pcs. x mm	
125...	125	250	184	210	8 x 19	

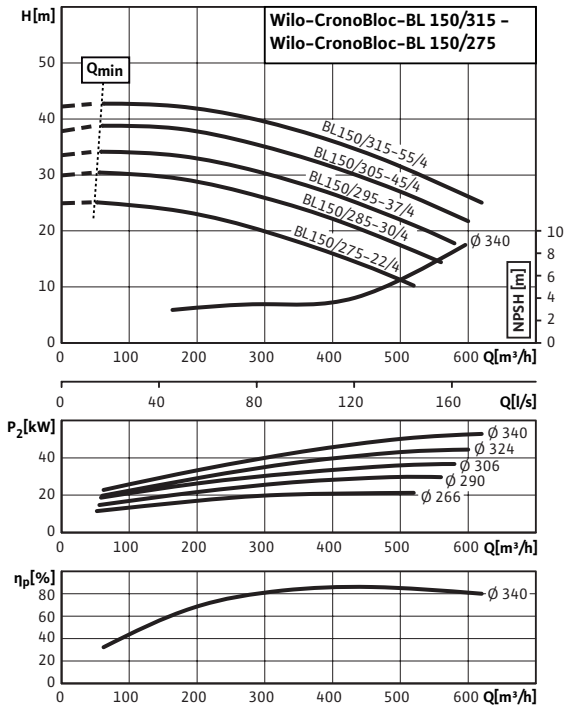
Pump flange dimensions - according to EN 1092-2 PN 16; n = number of drilled holes

Motor data (4-pole), minimum efficiency index, article numbers							
Wilo-CronoBloc-BL...	Motor efficiency level	Rated power	Rated current (approx.)	Power factor	Rated speed	Motor efficiency	Art no.
		P_2	I_N	$\cos \varphi$	<i>n</i>	$\eta_{m50\%}/\eta_{m75\%}/\eta_{m100\%}$	
		kW	3~400 V A		rpm	%	
125/360-37/4	IE3	37.00	71.30	0.84	1450	90.9/92.6/93.9	2160687
125/370-45/4	IE3	45.00	83.10	0.83	1450	91.7/93.2/94.2	2160686
125/380-55/4	IE3	55.00	97.50	0.86	1450	92.0/93.6/94.6	2160685
125/390-75/4	IE3	75.00	134.10	0.86	1450	94.0/94.8/95.0	2160684

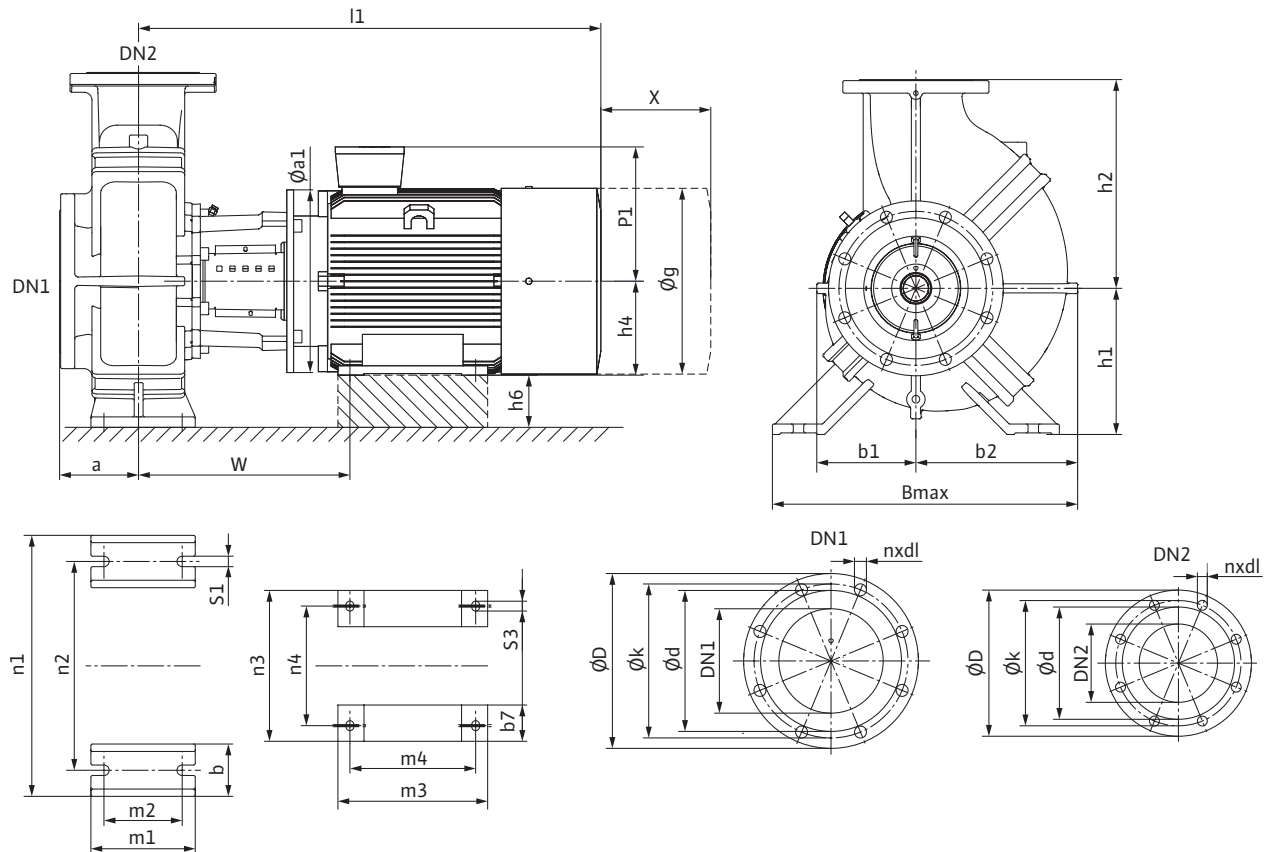
Observe motor name plate data

Pump curves

CronoBloc-BL 150/275-22/4 - 150/315-55/4 (4-pole, 50 Hz)



Dimension drawing



Dimensions, weights (4-pole)													
Wilo-CronoBloc-BL...	Dimensions												Weight approx.
	<i>a</i>	$\varnothing A1$	B_{max}	<i>b1</i>	<i>b2</i>	$\varnothing g$	<i>H1</i>	<i>H2</i>	<i>h6</i>	<i>l1</i>	<i>w</i>	<i>x</i>	<i>m</i>
	mm												
150/275-22/4	160	350	561	277	285	349	280	400	100	881	423	195	406
150/285-30/4	160	400	561	277	285	356	280	400	80	944	435	195	465
150/295-37/4	160	450	561	277	285	456	280	400	55	1121	612	195	592
150/305-45/4	160	450	561	277	285	456	280	400	55	1181	612	195	573
150/315-55/4	160	550	561	277	285	522	280	400	30	1216	631	195	747

Dimensions, weights (4-pole)													
Wilo-CronoBloc-BL...	Dimensions												
	<i>B</i>	<i>b7</i>	<i>M1</i>	<i>M2</i>	<i>M3</i>	<i>M4</i>	<i>N1</i>	<i>N2</i>	<i>N3</i>	<i>N4</i>	<i>s1</i>	<i>s3</i>	
	mm												
150/275-22/4	100	74	200	150	340	279	550	450	352	279	24	14	
150/285-30/4	100	89	200	150	380	305	550	450	403	318	24	19	
150/295-37/4	100	108	200	150	341	286	550	450	440	356	24	19	
150/305-45/4	100	108	200	150	366	311	550	450	440	356	24	19	
150/315-55/4	100	113	200	150	444	349	550	450	490	406	24	24	

Flange dimensions (suction side)						
Wilo-CronoBloc-BL...	Nominal diameter		Pump flange dimensions			
	<i>DN1</i>	$\varnothing D$	$\varnothing d$	$\varnothing k$	<i>n x d_L</i>	
			mm		pcs. x mm	
150...	200	340	266	295	12 x 23	

Pump flange dimensions - according to EN 1092-2 PN 16; n = number of drilled holes

Flange dimensions (discharge side)						
Wilo-CronoBloc-BL...	Nominal diameter		Pump flange dimensions			
	<i>DN2</i>	$\varnothing D$	$\varnothing d$	$\varnothing k$	<i>n x d_L</i>	
			mm		pcs. x mm	
150...	150	285	211	240	8 x 23	

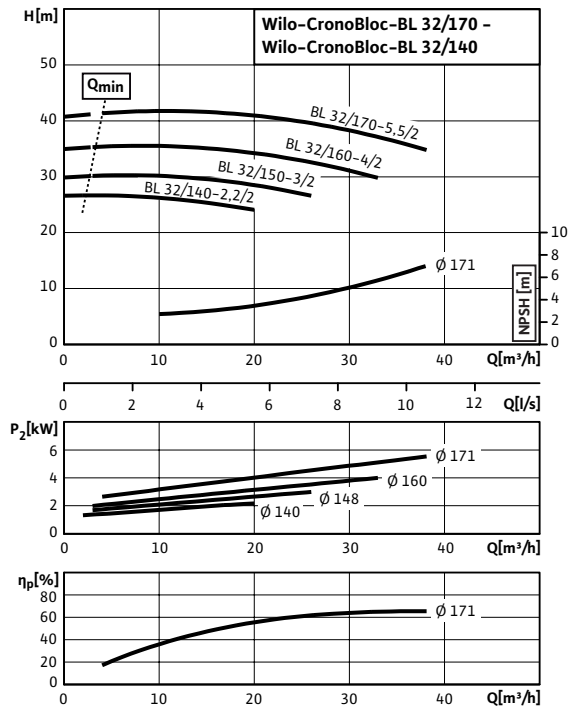
Pump flange dimensions - according to EN 1092-2 PN 16; n = number of drilled holes

Motor data (4-pole), minimum efficiency index, article numbers							
Wilo-CronoBloc-BL...	Motor efficiency level	Rated power	Rated current (approx.)	Power factor	Rated speed	Motor efficiency	Art no.
		P_2	I_N	$\cos \varphi$	<i>n</i>	$\eta_{m 50\%} / \eta_{m 75\%} / \eta_{m 100\%}$	
		kW	3~400 V A		rpm	%	
150/275-22/4	IE3	22.00	41.50	0.85	1450	90.6/91.5/91.6	2160693
150/285-30/4	IE3	30.00	55.70	0.85	1450	91.1/92.1/92.3	2160692
150/295-37/4	IE3	37.00	71.30	0.84	1450	90.9/92.6/93.9	2160691
150/305-45/4	IE3	45.00	83.10	0.83	1450	91.7/93.2/94.2	2160690
150/315-55/4	IE3	55.00	97.50	0.86	1450	92.0/93.6/94.6	2160689

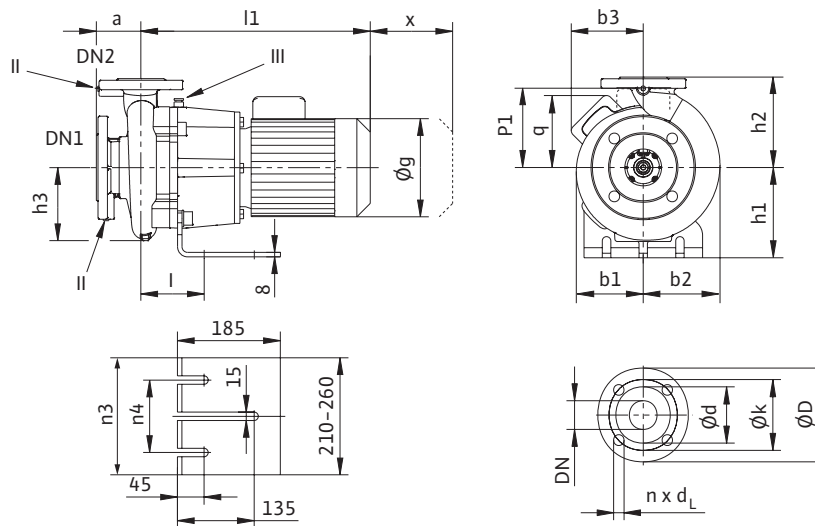
Observe motor name plate data

Pump curves

CronoBloc-BL 32/140-2,2/2 - 32/170-5,5/2 (2-pole, 50 Hz)



Dimension drawing



Dimensions, weights (2-pole)																
Wilo-CronoBloc-BL...	Dimensions															Weight ap-prox. m kg
	a	b1	b2	b3	$\varnothing g$	H1	H2	H3 mm	l	l1	N3	N4	p1	q	x	
32/140-2,2/2	80	113	129	144	193	160	160	122	110	447	130	210	-	144	100	57
32/150-3/2	80	125	129	157	217	160	160	122	110	487	130	210	-	157	100	60
32/160-4/2	80	113	129	160	232	160	160	122	110	520	130	210	-	160	100	68

Flange dimensions (suction side)						
Wilo-CronoBloc-BL...	Nominal diameter		Pump flange dimensions			
	DN1	$\varnothing D$	$\varnothing d$ mm	$\varnothing k$	$n \times d_L$ pcs. x mm	
32...	50	165	99	125	4 x 19	

Pump flange dimensions - according to EN 1092-2 PN 16; n = number of drilled holes

Flange dimensions (discharge side)						
Wilo-CronoBloc-BL...	Nominal diameter		Pump flange dimensions			
	DN2	$\varnothing D$	$\varnothing d$ mm	$\varnothing k$	$n \times d_L$ pcs. x mm	
32...	32	140	76	100	4 x 19	

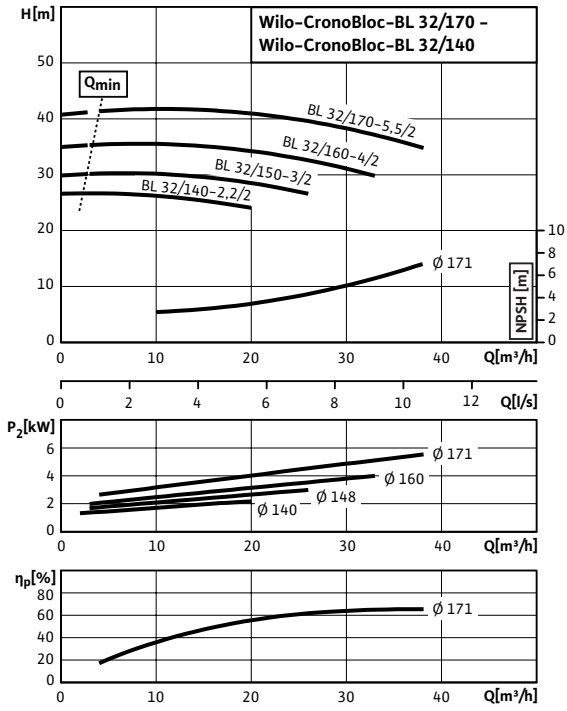
Pump flange dimensions - according to EN 1092-2 PN 16; n = number of drilled holes

Motor data (2-pole), minimum efficiency index, article numbers							
Wilo-CronoBloc-BL...	Motor efficiency level	Rated power	Rated current (approx.)	Power factor	Rated speed	Motor efficiency	Art no.
		P_2 kW	I_N 3~400 V A	$\cos \varphi$	n rpm	$\eta_{m 50\%} / \eta_{m 75\%} / \eta_{m 100\%}$ %	
32/140-2,2/2	IE3	2.20	4.50	0.81	2900	84.3/85.5/85.9	2121125
32/150-3/2	IE3	3.00	6.15	0.79	2900	82.5/84.6/87.1	2121126
32/160-4/2	IE3	4.00	7.75	0.83	2900	85.7/87.5/88.1	2121127

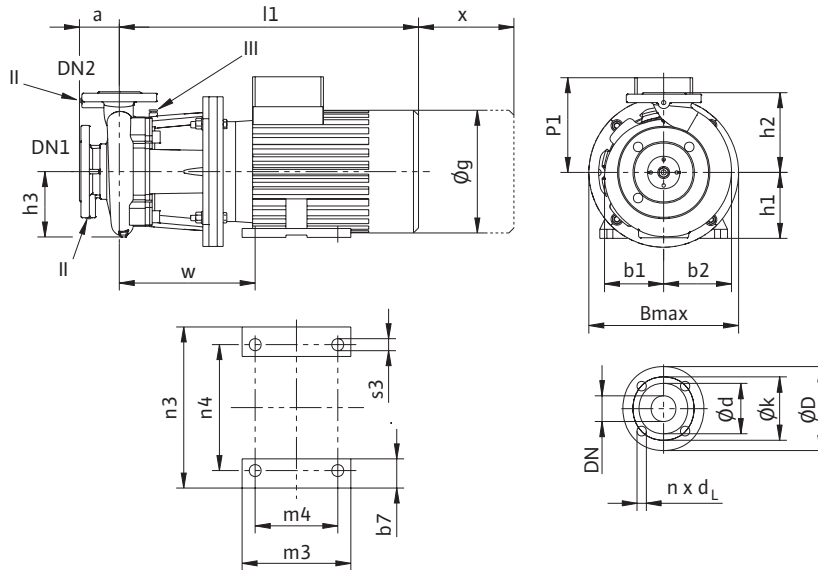
Observe motor name plate data

Pump curves

CronoBloc-BL 32/140-2,2/2 - 32/170-5,5/2 (2-pole, 50 Hz)



Dimension drawing



Dimensions, weights (2-pole)																			
Wilo-Crono-Bloc-BL...	Dimensions																		Weight approx.
	<i>a</i>	<i>B_{max}</i>	<i>b1</i>	<i>b2</i>	<i>b7</i>	$\varnothing g$	<i>H1</i>	<i>H2</i>	<i>H3</i>	<i>l1</i>	<i>M3</i>	<i>M4</i>	<i>N3</i>	<i>N4</i>	<i>p1</i>	<i>s3</i>	<i>w</i>	<i>x</i>	<i>m</i> kg
32/170-5,5/2	80	325	113	129	53	279	132	160	122	600	180	140	256	216	188	12	284	100	89

Flange dimensions (suction side)					
Wilo-CronoBloc-BL...	Nominal diameter	Pump flange dimensions			
	<i>DN1</i>	$\varnothing D$	$\varnothing d$ mm	$\varnothing k$	<i>n x d_L</i> pcs. x mm
32...	50	165	99	125	4 x 19

Pump flange dimensions - according to EN 1092-2 PN 16; n = number of drilled holes

Flange dimensions (discharge side)					
Wilo-CronoBloc-BL...	Nominal diameter	Pump flange dimensions			
	<i>DN2</i>	$\varnothing D$	$\varnothing d$ mm	$\varnothing k$	<i>n x d_L</i> pcs. x mm
32...	32	140	76	100	4 x 19

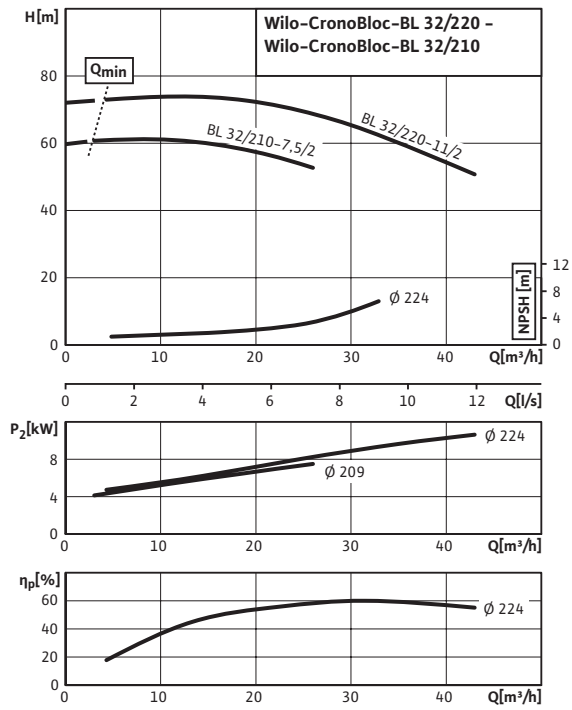
Pump flange dimensions - according to EN 1092-2 PN 16; n = number of drilled holes

Motor data (2-pole), minimum efficiency index, article numbers							
Wilo-CronoBloc-BL...	Motor efficiency level	Rated power	Rated current (approx.)	Power factor	Rated speed	Motor efficiency	Art no.
		<i>P₂</i> kW	<i>I_N</i> 3~400 V A	<i>cos φ</i>	<i>n</i> rpm	$\eta_{m50\%}/\eta_{m75\%}/\eta_{m100\%}$ %	
32/170-5,5/2	IE3	5.50	9.90	0.90	2900	86.7/88.9/89.2	2121128

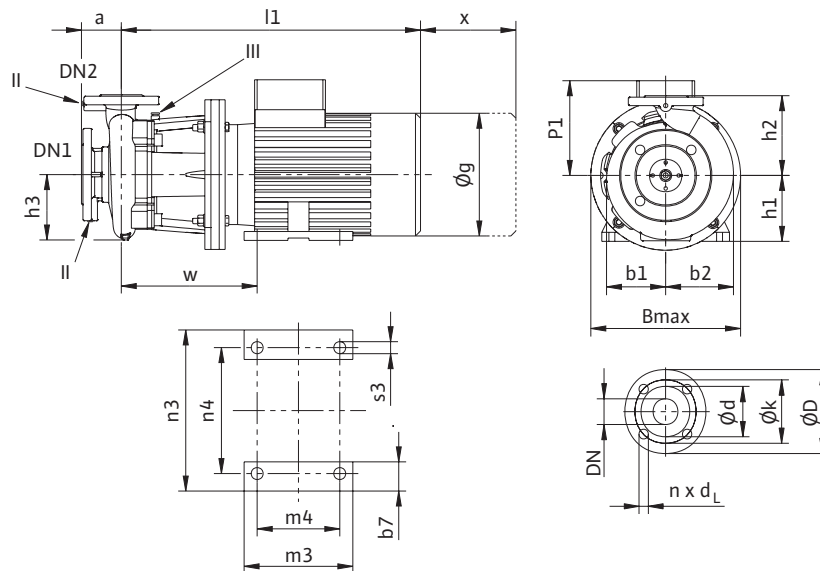
Observe motor name plate data

Pump curves

CronoBloc-BL 32/210-7,5/2 - 32/220-11/2 (2-pole, 50 Hz)



Dimension drawing



Dimensions, weights (2-pole)																			
Wilo-Crono-Bloc-BL...	Dimensions																		Weight approx.
	a	B _{max}	b1	b2	b7	∅g	H1	H2	H3	l1	M3	M4	N3	N4	p1	s3	w	x	m
32/210-7,5/2	80	300	145	149	53	279	132	180	145	608	180	140	256	216	188	12	292	100	100
32/220-11/2	80	350	145	149	60	312	160	180	145	761	256	210	300	254	250	15	352	100	149

Flange dimensions (suction side)					
Wilo-CronoBloc-BL...	Nominal diameter	Pump flange dimensions			
	DN1	∅D	∅d mm	∅k	n x d _L pcs. x mm
32...	50	165	99	125	4 x 19

Pump flange dimensions - according to EN 1092-2 PN 16; n = number of drilled holes

Flange dimensions (discharge side)					
Wilo-CronoBloc-BL...	Nominal diameter	Pump flange dimensions			
	DN2	∅D	∅d mm	∅k	n x d _L pcs. x mm
32...	32	140	76	100	4 x 19

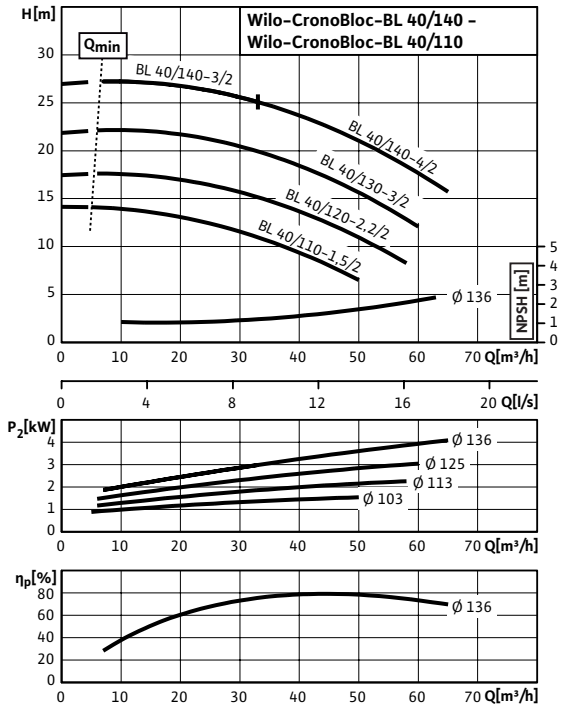
Pump flange dimensions - according to EN 1092-2 PN 16; n = number of drilled holes

Motor data (2-pole), minimum efficiency index, article numbers							
Wilo-CronoBloc-BL...	Motor efficiency level	Rated power	Rated current (approx.)	Power factor	Rated speed	Motor efficiency	Art no.
		P ₂ kW	I _N 3~400 V A	cos φ	n rpm	η _{m 50%} /η _{m 75%} /η _{m 100%} %	
32/210-7,5/2	IE3	7.50	13.30	0.90	2900	88.9/90.3/90.1	2121129
32/220-11/2	IE3	11.00	20.50	0.85	2900	89.4/91.0/91.2	2121130

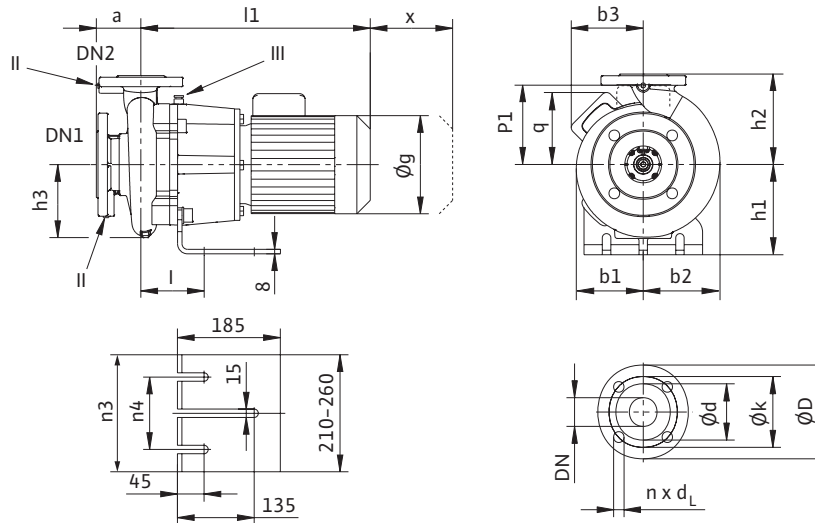
Observe motor name plate data

Pump curves

CronoBloc-BL 40/110-1,5/2 - 40/140-4/2 (2-pole, 50 Hz)



Dimension drawing



Dimensions, weights (2-pole)

Wilo-CronoBloc-BL...	Dimensions															Weight ap-prox. m kg
	a	b1	b2	b3	$\varnothing g$	H1	H2	H3 mm	l	l1	N3	N4	p1	q	x	
40/110-1,5/2	80	101	119	144	193	160	140	111	114	435	130	225	-	144	105	50
40/120-2,2/2	80	101	119	144	193	160	140	111	114	445	130	225	-	144	105	53
40/130-3/2	80	101	119	157	217	160	140	111	114	486	130	225	-	157	105	54
40/140-3/2	80	101	119	157	217	160	140	111	114	486	130	225	-	157	105	57
40/140-4/2	80	101	119	160	232	160	140	111	114	518	130	225	-	160	105	65

Flange dimensions (suction side)

Wilo-CronoBloc-BL...	Nominal diameter	Pump flange dimensions			
	DN1	$\varnothing D$	$\varnothing d$ mm	$\varnothing k$	$n \times d_L$ pcs. x mm
40...	65	185	118	145	4 x 19

Pump flange dimensions - according to EN 1092-2 PN 16; n = number of drilled holes

Flange dimensions (discharge side)

Wilo-CronoBloc-BL...	Nominal diameter	Pump flange dimensions			
	DN2	$\varnothing D$	$\varnothing d$ mm	$\varnothing k$	$n \times d_L$ pcs. x mm
40...	40	150	84	110	4 x 19

Pump flange dimensions - according to EN 1092-2 PN 16; n = number of drilled holes

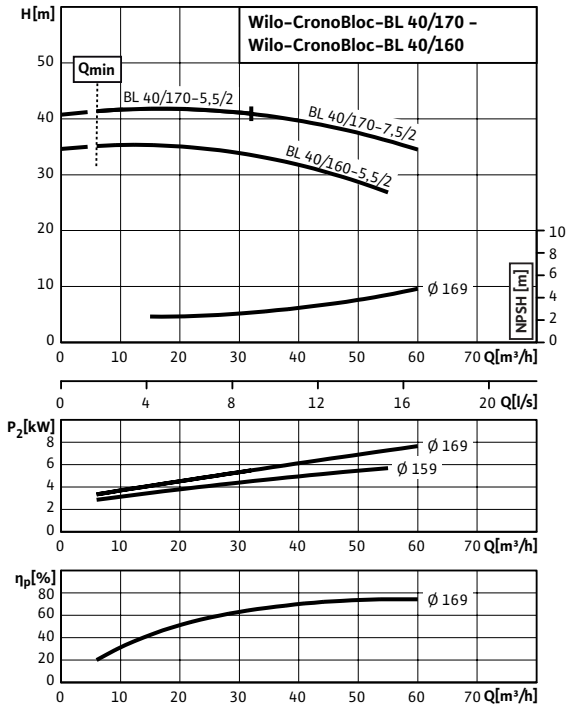
Motor data (2-pole), minimum efficiency index, article numbers

Wilo-CronoBloc-BL...	Motor efficiency level	Rated power	Rated current (approx.)	Power factor	Rated speed	Motor efficiency	Art no.
		P_2 kW	I_N 3~400 V A	$\cos \varphi$	n rpm	$\eta_{m 50\%} / \eta_{m 75\%} / \eta_{m 100\%}$ %	
40/110-1,5/2	IE3	1.50	3.20	0.81	2900	82.3/84.2/84.2	2121131
40/120-2,2/2	IE3	2.20	4.50	0.81	2900	84.3/85.5/85.9	2121132
40/130-3/2	IE3	3.00	6.15	0.79	2900	82.5/84.6/87.1	2121133
40/140-3/2	IE3	3.00	6.15	0.79	2900	82.5/84.6/87.1	2121134
40/140-4/2	IE3	4.00	7.75	0.83	2900	85.7/87.5/88.1	2121135

Observe motor name plate data

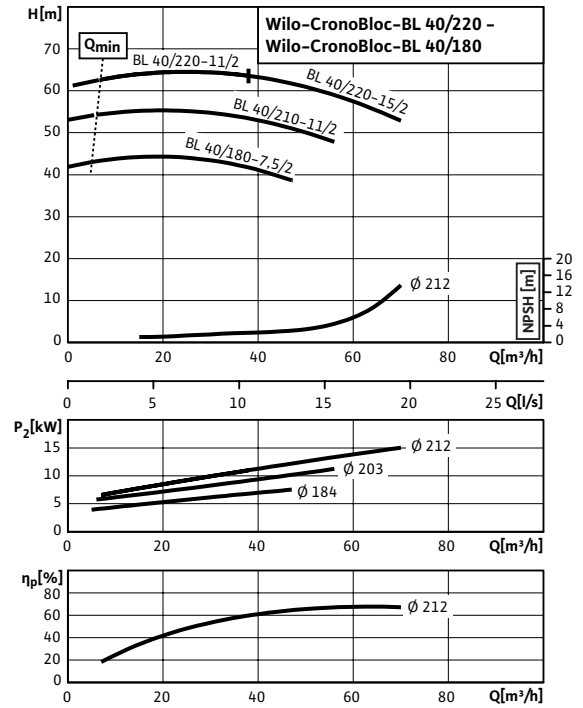
Pump curves

CronoBloc-BL 40/160-5,5/2 - 40/170-7,5/2 (2-pole, 50 Hz)

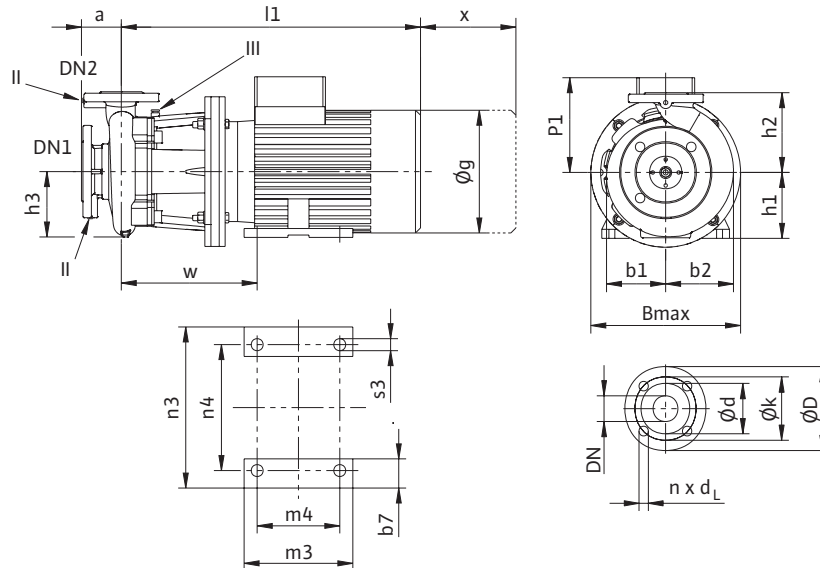


Pump curves

CronoBloc-BL 40/180-7,5/2 - 40/220-15/2 (2-pole, 50 Hz)



Dimension drawing



Dimensions, weights (2-pole)																			
Wilo-Crono-Bloc-BL...	Dimensions																	Weight approx.	
	a	B _{max}	b1	b2	b7	∅g	H1	H2	H3	l1	M3	M4	N3	N4	p1	s3	w	x	m kg
40/160-5,5/2	80	325	120	135	53	279	132	160	132	601	180	140	256	216	188	12	285	100	91
40/170-5,5/2	80	325	120	135	53	279	132	160	132	601	180	140	256	216	188	12	285	100	91
40/170-7,5/2	80	325	120	135	53	279	132	160	132	601	180	140	256	216	188	12	285	100	94
40/180-7,5/2	100	301	145	151	53	279	132	180	145	615	180	140	256	216	188	12	299	105	104
40/210-11/2	100	350	145	151	60	312	160	180	145	768	256	210	300	254	250	15	359	105	152
40/220-11/2	100	350	145	151	60	312	160	180	145	768	256	210	300	254	250	15	359	105	152
40/220-15/2	100	350	145	151	60	312	160	180	145	768	256	210	300	254	250	15	359	105	172

Flange dimensions (suction side)					
Wilo-CronoBloc-BL...	Nominal diameter	Pump flange dimensions			
	DN1	∅D	∅d mm	∅k	n x d _L pcs. x mm
40...	65	185	118	145	4 x 19

Pump flange dimensions - according to EN 1092-2 PN 16; n = number of drilled holes

Flange dimensions (discharge side)					
Wilo-CronoBloc-BL...	Nominal diameter	Pump flange dimensions			
	DN2	∅D	∅d mm	∅k	n x d _L pcs. x mm
40...	40	150	84	110	4 x 19

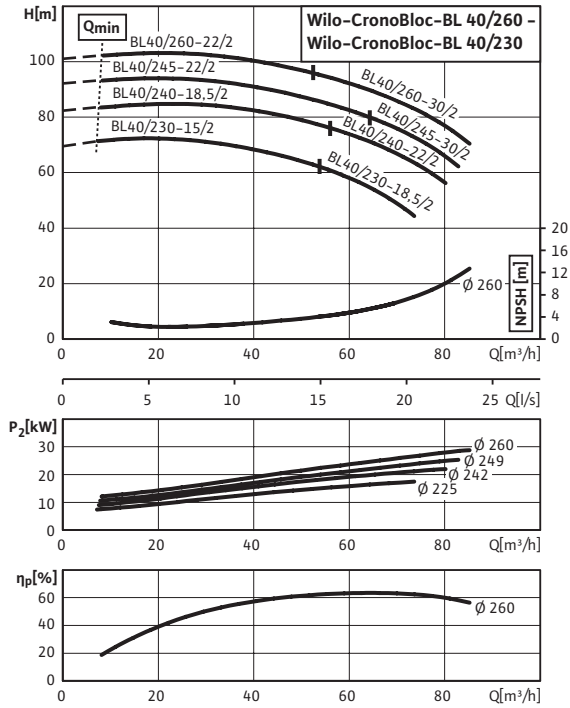
Pump flange dimensions - according to EN 1092-2 PN 16; n = number of drilled holes

Motor data (2-pole), minimum efficiency index, article numbers							
Wilo-CronoBloc-BL...	Motor efficiency level	Rated power	Rated current (approx.)	Power factor	Rated speed	Motor efficiency	Art no.
		P ₂ kW	I _N 3~400 V A	cos φ	n rpm	η _{m 50%} /η _{m 75%} /η _{m 100%} %	
40/160-5,5/2	IE3	5.50	9.90	0.90	2900	86.7/88.9/89.2	2121136
40/170-5,5/2	IE3	5.50	9.90	0.90	2900	86.7/88.9/89.2	2121137
40/170-7,5/2	IE3	7.50	13.30	0.90	2900	88.9/90.3/90.1	2121138
40/180-7,5/2	IE3	7.50	13.30	0.90	2900	88.9/90.3/90.1	2121139
40/210-11/2	IE3	11.00	20.50	0.85	2900	89.4/91.0/91.2	2121140
40/220-11/2	IE3	11.00	20.50	0.85	2900	89.4/91.0/91.2	2121141
40/220-15/2	IE3	15.00	26.80	0.88	2900	90.4/92.1/91.9	2121142

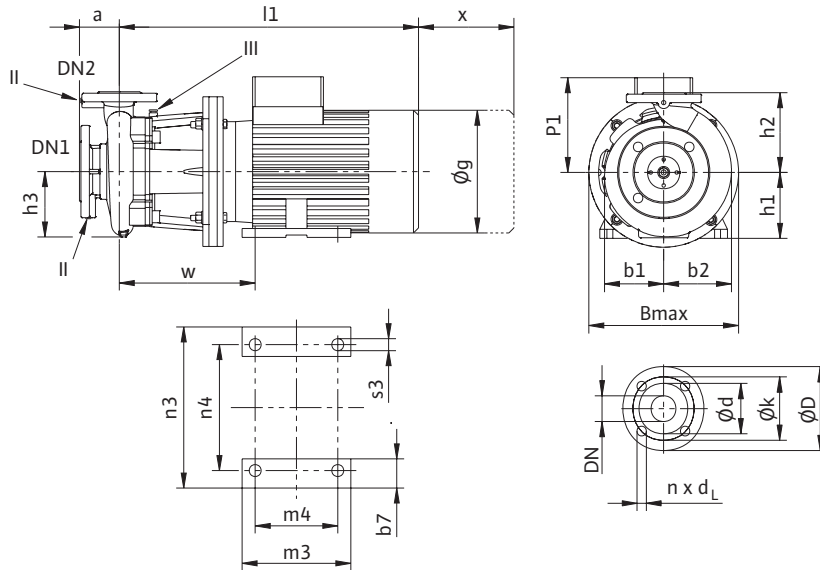
Observe motor name plate data

Pump curves

CronoBloc-BL 40/230-15/2 - 40/260-30/2 (2-pole, 50 Hz)



Dimension drawing



Dimensions, weights (2-pole)																			
Wilo-Crono-Bloc-BL...	Dimensions																		Weight approx.
	a	B _{max}	b1	b2	b7	∅g	H1	H2	H3	l1	M3	M4	N3	N4	p1	s3	w	x	m kg
40/230-15/2	100	350	174	174	60	312	160	225	174	772	256	210	300	254	250	15	363	110	184
40/230-18,5/2	100	350	174	174	60	312	160	225	174	772	300	254	300	254	250	15	363	110	201
40/240-18,5/2	100	350	174	174	60	312	160	225	174	772	300	254	300	254	250	15	363	110	201
40/240-22/2	100	350	174	174	70	349	180	225	174	834	287	241	339	279	272	15	376	110	289
40/245-22/2	100	350	174	174	70	349	180	225	174	834	287	241	339	279	272	15	376	110	289
40/245-30/2	100	400	174	174	83	356	200	225	174	900	355	305	388	318	299	19	405	110	343
40/260-22/2	100	350	174	174	70	349	180	225	174	834	287	241	339	279	272	15	376	110	289
40/260-30/2	100	400	174	174	83	356	200	225	174	900	355	305	388	318	299	19	405	110	343

Flange dimensions (suction side)					
Wilo-CronoBloc-BL...	Nominal diameter	Pump flange dimensions			
	DN1	∅D	∅d mm	∅k	n x d _L pcs. x mm
40...	65	185	118	145	4 x 19

Pump flange dimensions - according to EN 1092-2 PN 16; n = number of drilled holes

Flange dimensions (discharge side)					
Wilo-CronoBloc-BL...	Nominal diameter	Pump flange dimensions			
	DN2	∅D	∅d mm	∅k	n x d _L pcs. x mm
40...	40	150	84	110	4 x 19

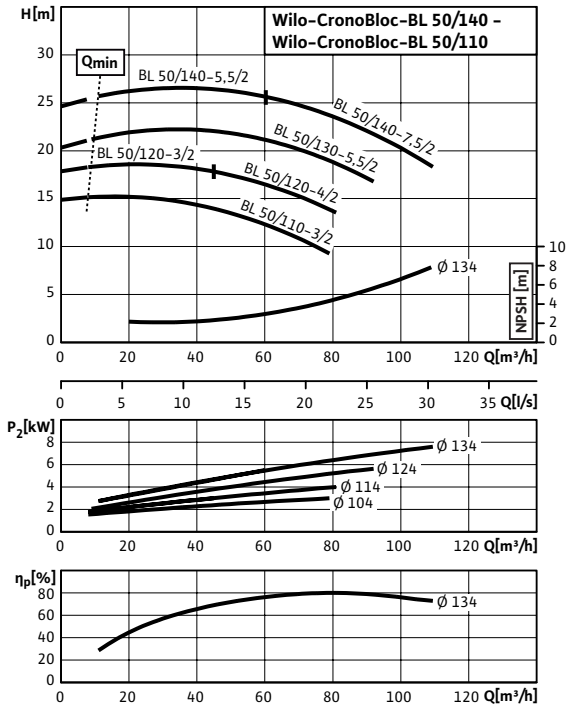
Pump flange dimensions - according to EN 1092-2 PN 16; n = number of drilled holes

Motor data (2-pole), minimum efficiency index, article numbers							
Wilo-CronoBloc-BL...	Motor efficiency level	Rated power	Rated current (approx.)	Power factor	Rated speed	Motor efficiency	Art no.
		P ₂ kW	I _N 3~400 V A	cos φ	n rpm	η _{m 50%} /η _{m 75%} /η _{m 100%} %	
40/230-15/2	IE3	15.00	26.80	0.88	2900	90.4/92.1/91.9	2142015
40/230-18,5/2	IE3	18.50	31.80	0.91	2900	90.9/92.0/92.4	2142016
40/240-18,5/2	IE3	18.50	31.80	0.91	2900	90.9/92.0/92.4	2142017
40/240-22/2	IE3	22.00	38.00	0.90	2900	91.7/92.9/92.7	2142018
40/245-22/2	IE3	22.00	38.00	0.90	2900	91.7/92.9/92.7	2142019
40/245-30/2	IE3	30.00	55.00	0.86	2900	91.8/93.0/93.3	2142020
40/260-22/2	IE3	22.00	38.00	0.90	2900	91.7/92.9/92.7	2142021
40/260-30/2	IE3	30.00	55.00	0.86	2900	91.8/93.0/93.3	2142022

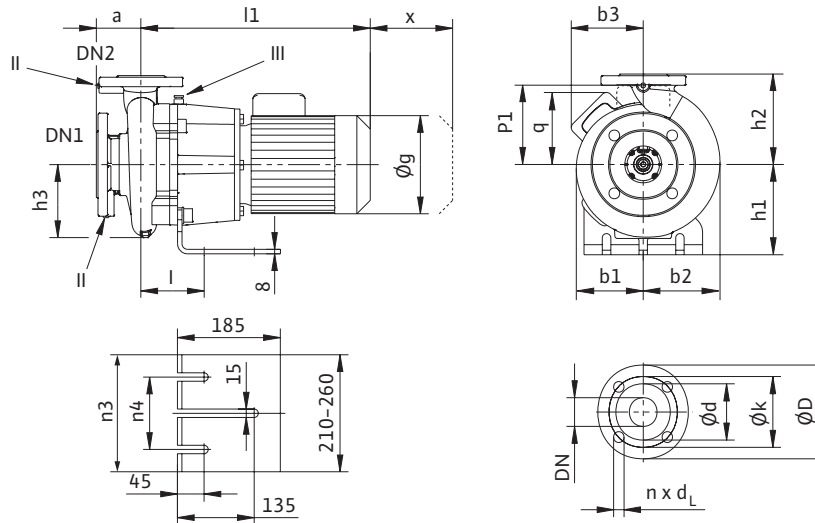
Observe motor name plate data

Pump curves

CronoBloc-BL 50/110-3/2 - 50/140-7,5/2 (2-pole, 50 Hz)



Dimension drawing



Dimensions, weights (2-pole)																
Wilo-CronoBloc-BL...	Dimensions															Weight approx. m kg
	a	b1	b2	b3	$\varnothing g$	H1	H2	H3 mm	l	l1	N3	N4	p1	q	x	
50/110-3/2	100	111	133	157	217	160	160	124	121	493	130	225	-	157	110	60
50/120-3/2	100	111	133	157	217	160	160	124	121	493	130	-	-	157	110	60
50/120-4/2	100	111	133	160	232	160	160	124	121	525	130	225	-	160	110	68

Flange dimensions (suction side)						
Wilo-CronoBloc-BL...	Nominal diameter		Pump flange dimensions			
	DN1	$\varnothing D$	$\varnothing d$ mm	$\varnothing k$	$n \times d_L$ pcs. x mm	
50...	65	185	118	145	4 x 19	

Pump flange dimensions - according to EN 1092-2 PN 16; n = number of drilled holes

Flange dimensions (discharge side)						
Wilo-CronoBloc-BL...	Nominal diameter		Pump flange dimensions			
	DN2	$\varnothing D$	$\varnothing d$ mm	$\varnothing k$	$n \times d_L$ pcs. x mm	
50...	50	165	99	125	4 x 19	

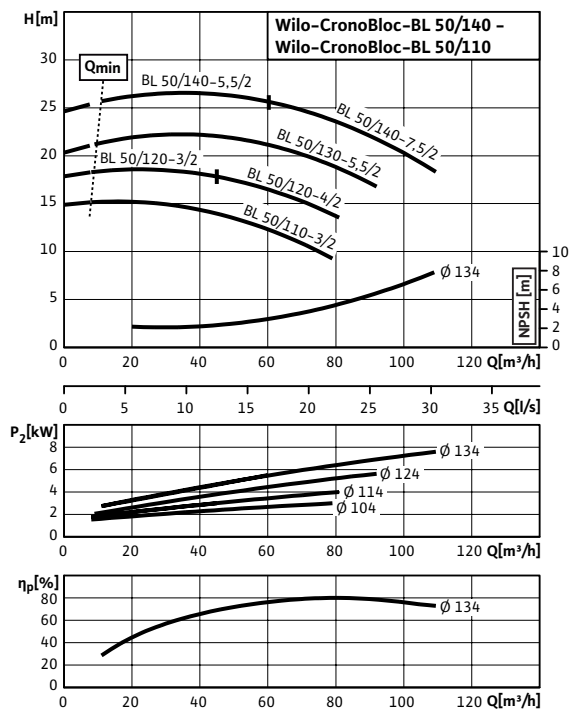
Pump flange dimensions - according to EN 1092-2 PN 16; n = number of drilled holes

Motor data (2-pole), minimum efficiency index, article numbers							
Wilo-CronoBloc-BL...	Motor efficiency level	Rated power P_2 kW	Rated current (approx.) I_N 3~400 V A	Power factor $\cos \varphi$	Rated speed n rpm	Motor efficiency $\eta_{m 50\%} / \eta_{m 75\%} / \eta_{m 100\%}$ %	Art no.
50/120-3/2	IE3	3.00	6.15	0.79	2900	82.5/84.6/87.1	2121147
50/120-4/2	IE3	4.00	7.75	0.83	2900	85.7/87.5/88.1	2121148

Observe motor name plate data

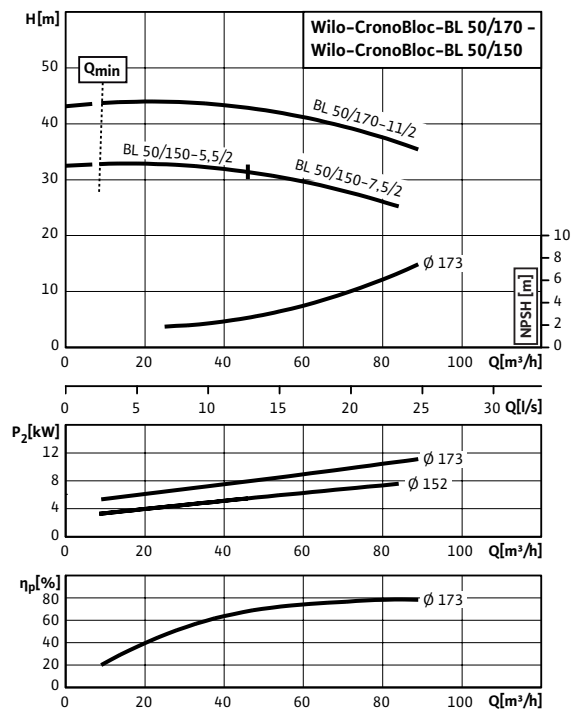
Pump curves

CronoBloc-BL 50/110-3/2 - 50/140-7,5/2 (2-pole, 50 Hz)

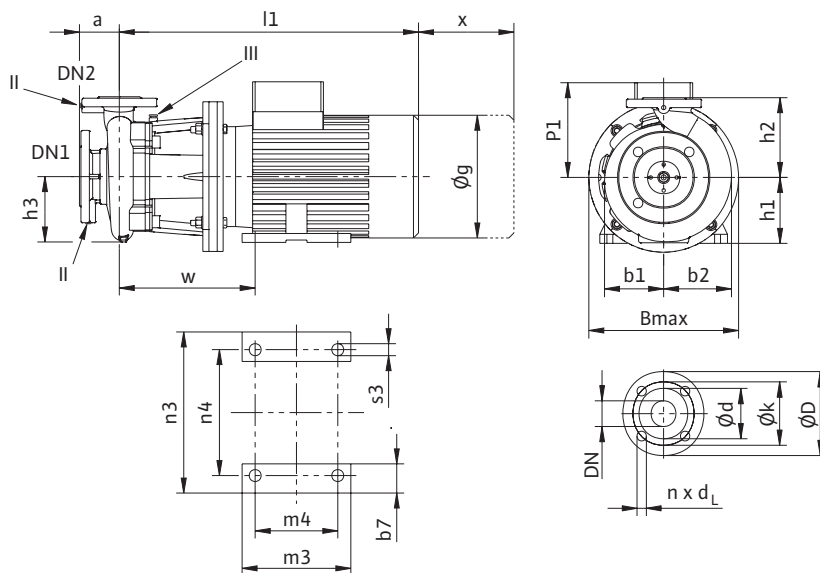


Pump curves

CronoBloc-BL 50/150-5,5/2 - 50/170-11/2 (2-pole, 50 Hz)



Dimension drawing



Dimensions, weights (2-pole)																			
Wilo-Crono-Bloc-BL...	Dimensions																		Weight approx.
	a	B _{max}	b1	b2	b7	∅g	H1	H2	H3	l1	M3	M4	N3	N4	p1	s3	w	x	m kg
50/140-5,5/2	100	300	111	133	53	279	132	160	124	612	180	140	256	216	188	12	296	110	86
50/140-7,5/2	100	300	111	133	53	279	132	160	124	612	180	140	256	216	188	12	296	110	89
50/150-5,5/2	100	325	127	147	53	279	132	180	152	609	180	140	256	216	188	12	293	120	94
50/150-7,5/2	100	325	127	147	53	279	132	180	152	609	180	140	256	216	188	12	293	120	97
50/170-11/2	100	380	127	147	60	312	160	180	152	771	256	210	300	254	250	15	362	120	137

Flange dimensions (suction side)					
Wilo-CronoBloc-BL...	Nominal diameter	Pump flange dimensions			
	DN1	∅D	∅d mm	∅k	n x d _L pcs. x mm
50...	65	185	118	145	4 x 19

Pump flange dimensions - according to EN 1092-2 PN 16; n = number of drilled holes

Flange dimensions (discharge side)					
Wilo-CronoBloc-BL...	Nominal diameter	Pump flange dimensions			
	DN2	∅D	∅d mm	∅k	n x d _L pcs. x mm
50...	50	165	99	125	4 x 19

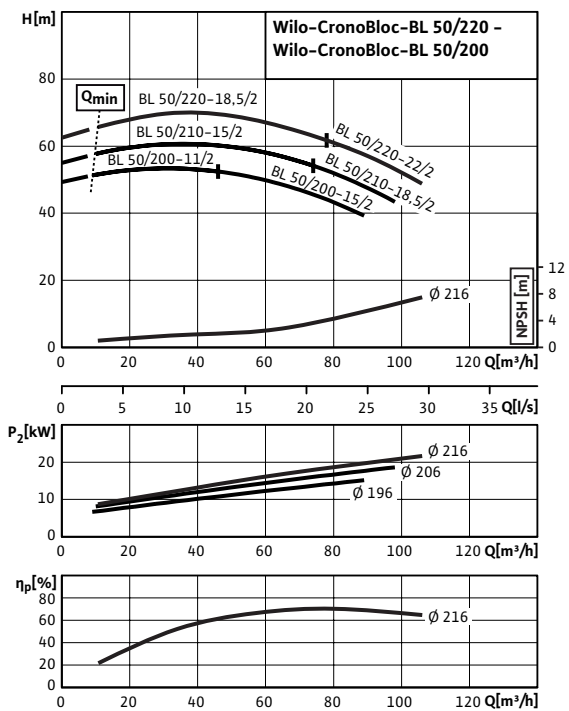
Pump flange dimensions - according to EN 1092-2 PN 16; n = number of drilled holes

Motor data (2-pole), minimum efficiency index, article numbers							
Wilo-CronoBloc-BL...	Motor efficiency level	Rated power	Rated current (approx.)	Power factor	Rated speed	Motor efficiency	Art no.
		P ₂ kW	I _N 3~400 V A	cos φ	n rpm	η _{m 50%} /η _{m 75%} /η _{m 100%} %	
50/140-5,5/2	IE3	5.50	9.90	0.90	2900	86.7/88.9/89.2	2121150
50/140-7,5/2	IE3	7.50	13.30	0.90	2900	88.9/90.3/90.1	2121151
50/150-5,5/2	IE3	5.50	9.90	0.90	2900	86.7/88.9/89.2	2121152
50/150-7,5/2	IE3	7.50	13.30	0.90	2900	88.9/90.3/90.1	2121153
50/170-11/2	IE3	11.00	20.50	0.85	2900	89.4/91.0/91.2	2121154

Observe motor name plate data

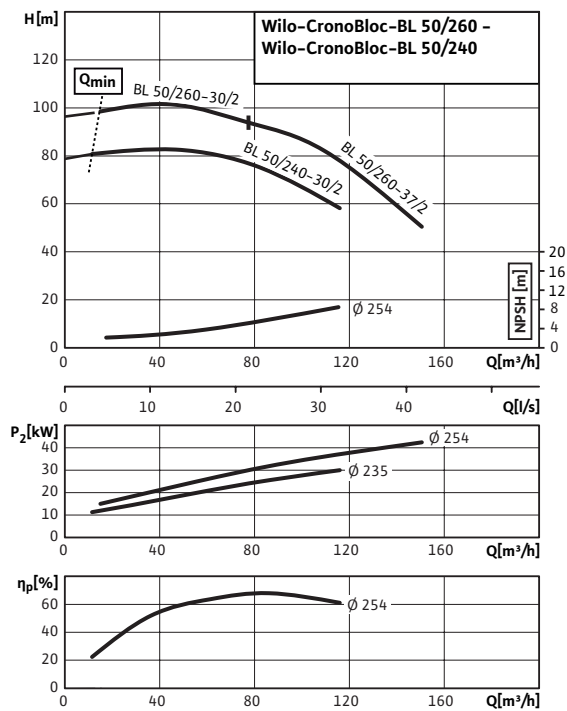
Pump curves

CronoBloc-BL 50/200-11/2 - 50/220-22/2 (2-pole, 50 Hz)

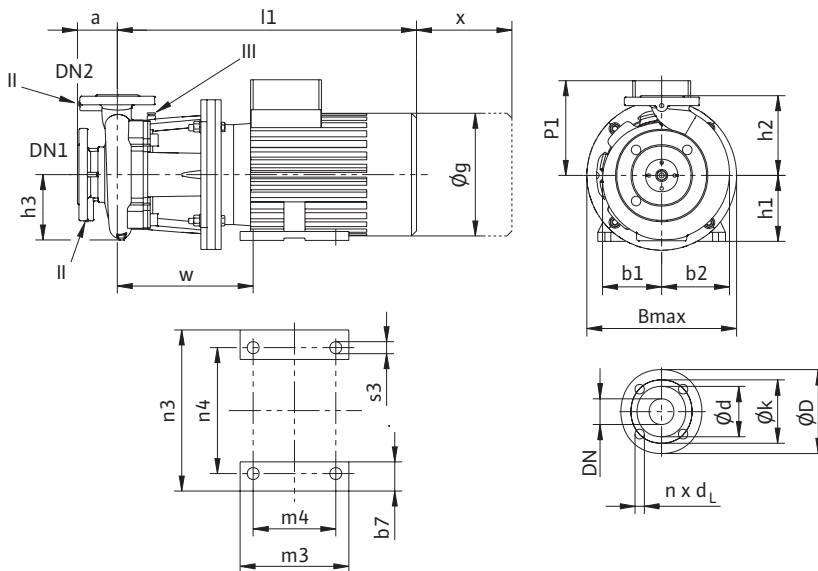


Pump curves

CronoBloc-BL 50/240-30/2 - 50/260-37/2 (2-pole, 50 Hz)



Dimension drawing



Dimensions, weights (2-pole)																			
Wilo-Crono-Bloc-BL...	Dimensions																		Weight approx. m kg
	a	B _{max}	b1	b2	b7	∅g	H1	H2	H3	l1	M3	M4	N3	N4	p1	s3	w	x	
50/200-11/2	100	350	153	172	60	312	160	200	159	768	256	210	300	254	250	15	359	110	154
50/200-15/2	100	350	153	172	60	312	160	200	159	768	256	210	300	254	250	15	359	110	173
50/210-15/2	100	350	153	172	60	312	160	200	159	768	256	210	300	254	250	15	359	110	173
50/210-18,5/2	100	350	153	172	60	312	160	200	159	768	300	254	300	254	250	15	359	110	190
50/220-18,5/2	100	350	153	172	60	312	160	200	159	768	300	254	300	254	250	15	359	110	190
50/220-22/2	100	350	153	172	70	349	180	200	159	830	287	241	339	279	272	15	372	110	278
50/240-30/2	100	400	174	186	83	356	200	225	179	905	355	305	388	318	299	19	410	110	342
50/260-30/2	100	400	174	186	83	356	200	225	179	905	355	305	388	318	299	19	410	110	342
50/260-37/2	100	400	174	186	83	356	200	225	179	975	355	305	388	318	299	19	410	110	372

Flange dimensions (suction side)					
Wilo-CronoBloc-BL...	Nominal diameter		Pump flange dimensions		
	DN1	∅D	∅d mm	∅k	n x d _L pcs. x mm
50...	65	185	118	145	4 x 19

Pump flange dimensions - according to EN 1092-2 PN 16; n = number of drilled holes

Flange dimensions (discharge side)					
Wilo-CronoBloc-BL...	Nominal diameter		Pump flange dimensions		
	DN2	∅D	∅d mm	∅k	n x d _L pcs. x mm
50...	50	165	99	125	4 x 19

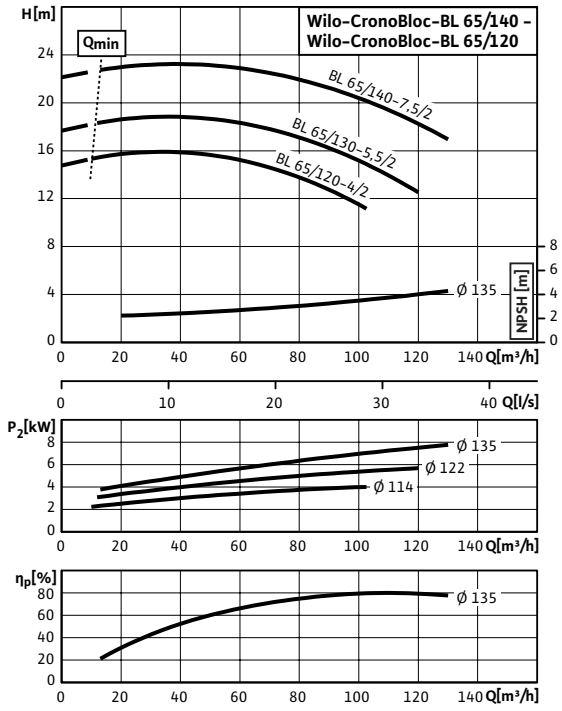
Pump flange dimensions - according to EN 1092-2 PN 16; n = number of drilled holes

Motor data (2-pole), minimum efficiency index, article numbers							
Wilo-CronoBloc-BL...	Motor efficiency level	Rated power	Rated current (approx.)	Power factor	Rated speed	Motor efficiency	Art no.
		P ₂ kW	I _N 3~400 V A	cos φ	n rpm	η _{m 50%} /η _{m 75%} /η _{m 100%} %	
50/200-11/2	IE3	11.00	20.50	0.85	2900	89.4/91.0/91.2	2121155
50/200-15/2	IE3	15.00	26.80	0.88	2900	90.4/92.1/91.9	2121156
50/210-15/2	IE3	15.00	26.80	0.88	2900	90.4/92.1/91.9	2121157
50/210-18,5/2	IE3	18.50	31.80	0.91	2900	90.9/92.0/92.4	2121158
50/220-18,5/2	IE3	18.50	31.80	0.91	2900	90.9/92.0/92.4	2121159
50/220-22/2	IE3	22.00	38.00	0.90	2900	91.7/92.9/92.7	2121160
50/240-30/2	IE3	30.00	55.00	0.86	2900	91.8/93.0/93.3	2121161
50/260-30/2	IE3	30.00	55.00	0.86	2900	91.8/93.0/93.3	2121162
50/260-37/2	IE3	37.00	64.80	0.92	2900	92.0/93.2/93.7	2121163

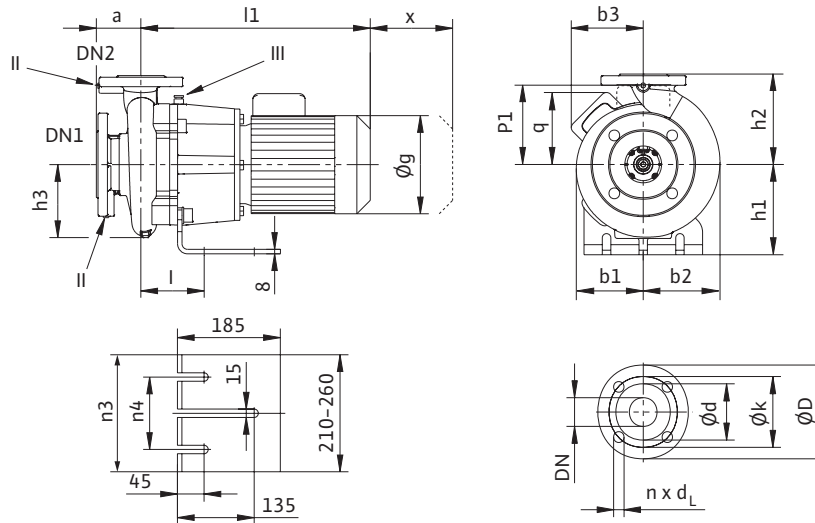
Observe motor name plate data

Pump curves

CronoBloc-BL 65/120-4/2 - 65/140-7,5/2 (2-pole, 50 Hz)



Dimension drawing



Dimensions, weights (2-pole)

Wilo-CronoBloc-BL...	Dimensions															Weight approx. m kg
	a	b1	b2	b3	$\varnothing g$	H1	H2	H3 mm	l	l1	N3	N4	p1	q	x	
65/120-4/2	100	123	151	160	232	160	180	155	127	531	130	225	-	160	120	73

Flange dimensions (suction side)

Wilo-CronoBloc-BL...	Nominal diameter	Pump flange dimensions			
	DN1	$\varnothing D$	$\varnothing d$ mm	$\varnothing k$	$n \times d_L$ pcs. x mm
65...	80	200	132	160	8 x 19

Pump flange dimensions - according to EN 1092-2 PN 16; n = number of drilled holes

Flange dimensions (discharge side)

Wilo-CronoBloc-BL...	Nominal diameter	Pump flange dimensions			
	DN2	$\varnothing D$	$\varnothing d$ mm	$\varnothing k$	$n \times d_L$ pcs. x mm
65...	65	185	118	145	4 x 19

Pump flange dimensions - according to EN 1092-2 PN 16; n = number of drilled holes

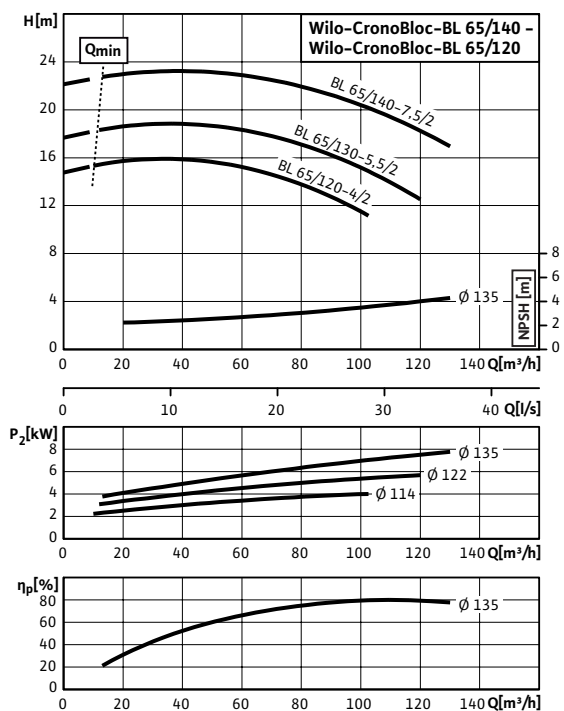
Motor data (2-pole), minimum efficiency index, article numbers

Wilo-CronoBloc-BL...	Motor efficiency level	Rated power	Rated current (approx.)	Power factor	Rated speed	Motor efficiency	Art no.
		P_2 kW	I_N 3~400 V A	$\cos \varphi$	n rpm	$\eta_{m 50\%}/\eta_{m 75\%}/\eta_{m 100\%}$ %	
65/120-4/2	IE3	4.00	7.75	0.83	2900	85.7/87.5/88.1	2121164

Observe motor name plate data

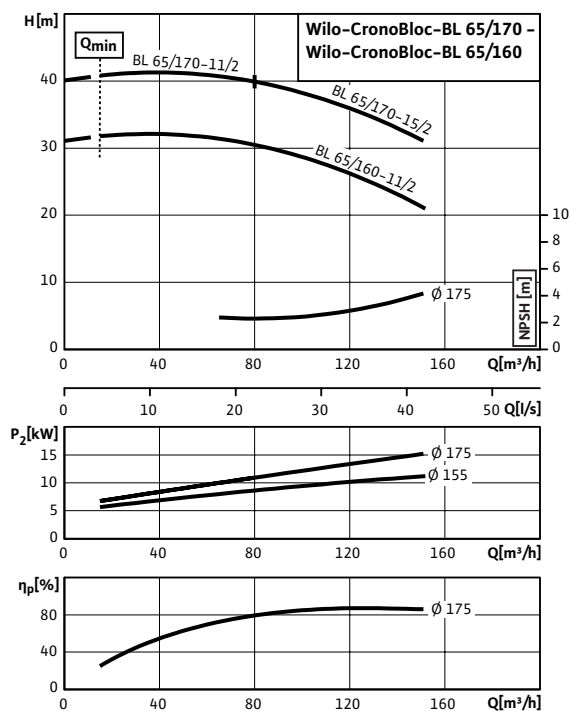
Pump curves

CronoBloc-BL 65/120-4/2 - 65/140-7,5/2 (2-pole, 50 Hz)

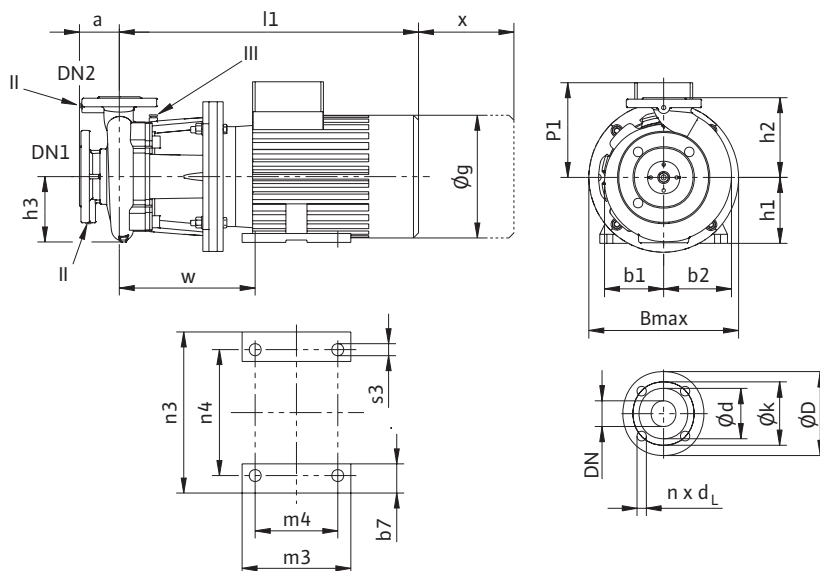


Pump curves

CronoBloc-BL 65/160-11/2 - 65/170-15/2 (2-pole, 50 Hz)



Dimension drawing



Dimensions, weights (2-pole)																			
Wilo-Crono-Bloc-BL...	Dimensions																	Weight approx.	
	a	B _{max}	b1	b2	b7	∅g	H1	H2	H3	l1	M3	M4	N3	N4	p1	s3	w	x	m kg
65/130-5,5/2	100	301	123	151	53	279	132	180	155	617	180	140	256	216	188	12	301	120	91
65/140-7,5/2	100	301	123	151	53	279	132	180	155	617	180	140	256	216	188	12	301	120	94
65/160-11/2	100	380	136	162	60	312	160	200	155	779	256	210	300	254	250	15	370	120	143
65/170-11/2	100	380	136	162	60	312	160	200	155	779	256	210	300	254	250	15	370	120	143
65/170-15/2	100	380	136	162	60	312	160	200	155	779	256	210	300	254	250	15	370	120	162

Flange dimensions (suction side)					
Wilo-CronoBloc-BL...	Nominal diameter	Pump flange dimensions			
	DN1	∅D	∅d mm	∅k	n x d _L pcs. x mm
65...	80	200	132	160	8 x 19

Pump flange dimensions - according to EN 1092-2 PN 16; n = number of drilled holes

Flange dimensions (discharge side)					
Wilo-CronoBloc-BL...	Nominal diameter	Pump flange dimensions			
	DN2	∅D	∅d mm	∅k	n x d _L pcs. x mm
65...	65	185	118	145	4 x 19

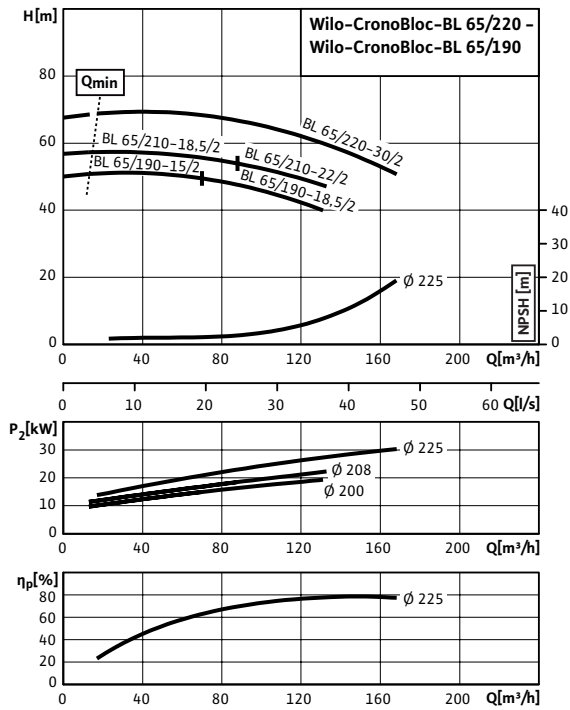
Pump flange dimensions - according to EN 1092-2 PN 16; n = number of drilled holes

Motor data (2-pole), minimum efficiency index, article numbers							
Wilo-CronoBloc-BL...	Motor efficiency level	Rated power	Rated current (approx.)	Power factor	Rated speed	Motor efficiency	Art no.
		P ₂ kW	I _N 3~400 V A	cos φ	n rpm	η _{m 50%} /η _{m 75%} /η _{m 100%} %	
65/130-5,5/2	IE3	5.50	9.90	0.90	2900	86.7/88.9/89.2	2121165
65/140-7,5/2	IE3	7.50	13.30	0.90	2900	88.9/90.3/90.1	2121166
65/160-11/2	IE3	11.00	20.50	0.85	2900	89.4/91.0/91.2	2121167
65/170-11/2	IE3	11.00	20.50	0.85	2900	89.4/91.0/91.2	2121168
65/170-15/2	IE3	15.00	26.80	0.88	2900	90.4/92.1/91.9	2121169

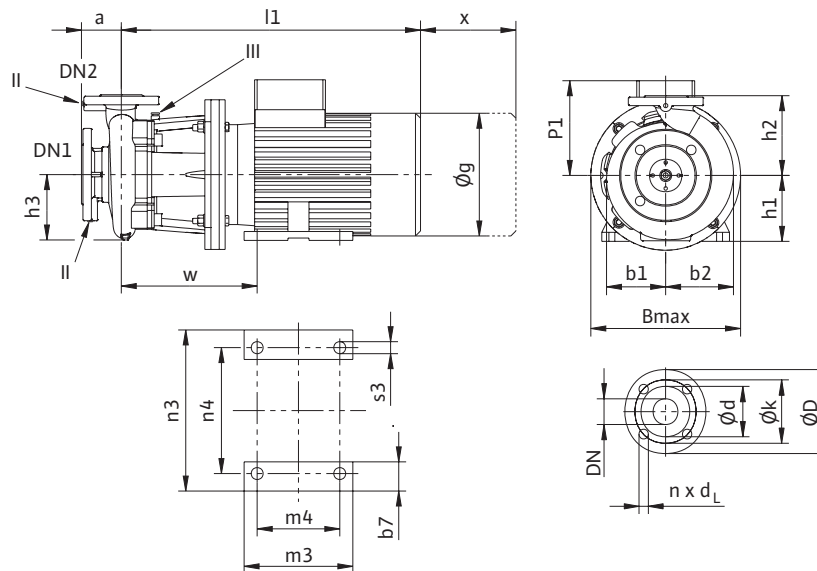
Observe motor name plate data

Pump curves

CronoBloc-BL 65/190-15/2 - 65/220-30/2 (2-pole, 50 Hz)



Dimension drawing



Dimensions, weights (2-pole)																			
Wilo-Crono-Bloc-BL...	Dimensions																		Weight approx.
	a	B _{max}	b1	b2	b7	∅g	H1	H2	H3	l1	M3	M4	N3	N4	p1	s3	w	x	m
65/190-15/2	100	356	156	181	60	312	160	225	170	783	256	210	300	254	250	15	374	120	179
65/190-18,5/2	100	356	156	181	60	312	160	225	170	783	300	254	300	254	250	15	374	120	196
65/210-18,5/2	100	356	156	181	60	312	160	225	170	783	300	254	300	254	250	15	374	120	196
65/210-22/2	100	356	156	181	70	349	180	225	170	845	287	241	339	279	272	15	387	120	287
65/220-30/2	100	400	156	181	83	356	200	225	170	894	355	305	388	318	299	19	399	120	332

Flange dimensions (suction side)					
Wilo-CronoBloc-BL...	Nominal diameter	Pump flange dimensions			
	DN1	∅D	∅d mm	∅k	n x d _L pcs. x mm
65...	80	200	132	160	8 x 19

Pump flange dimensions - according to EN 1092-2 PN 16; n = number of drilled holes

Flange dimensions (discharge side)					
Wilo-CronoBloc-BL...	Nominal diameter	Pump flange dimensions			
	DN2	∅D	∅d mm	∅k	n x d _L pcs. x mm
65...	65	185	118	145	4 x 19

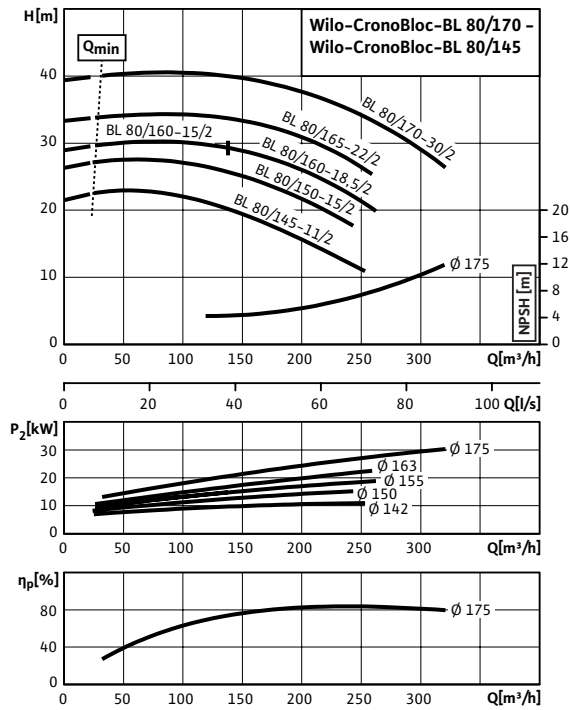
Pump flange dimensions - according to EN 1092-2 PN 16; n = number of drilled holes

Motor data (2-pole), minimum efficiency index, article numbers							
Wilo-CronoBloc-BL...	Motor efficiency level	Rated power	Rated current (approx.)	Power factor	Rated speed	Motor efficiency	Art no.
		P ₂ kW	I _N 3~400 V A	cos φ	n rpm	η _{m 50%} /η _{m 75%} /η _{m 100%} %	
65/190-15/2	IE3	15.00	26.80	0.88	2900	90.4/92.1/91.9	2121170
65/190-18,5/2	IE3	18.50	31.80	0.91	2900	90.9/92.0/92.4	2121171
65/210-18,5/2	IE3	18.50	31.80	0.91	2900	90.9/92.0/92.4	2121172
65/210-22/2	IE3	22.00	38.00	0.90	2900	91.7/92.9/92.7	2121173
65/220-30/2	IE3	30.00	55.00	0.86	2900	91.8/93.0/93.3	2121174

Observe motor name plate data

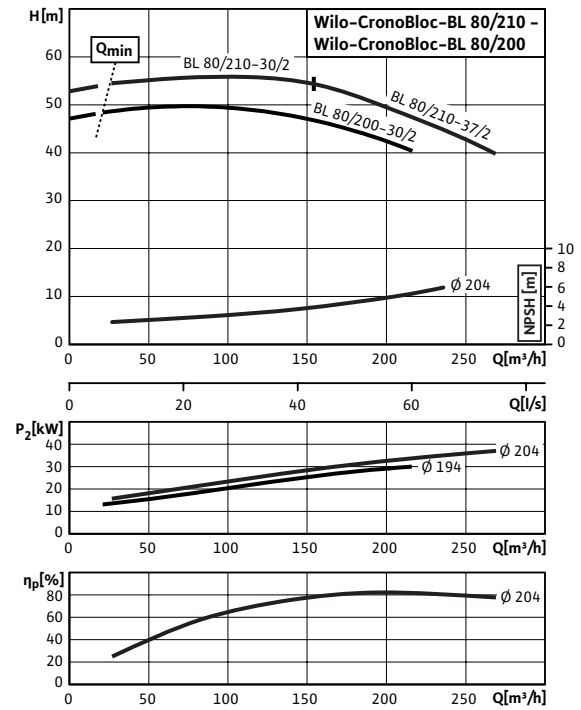
Pump curves

CronoBloc-BL 80/145-11/2 - 80/170-30/2 (2-pole, 50 Hz)

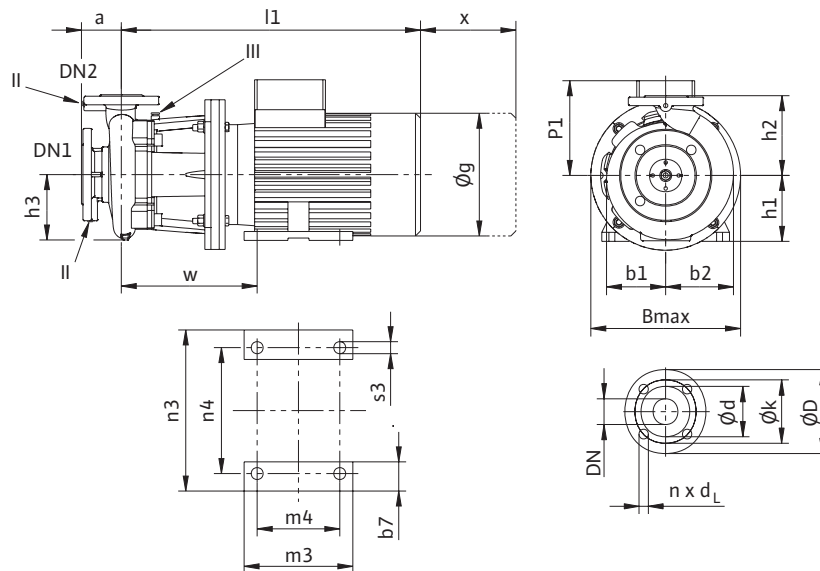


Pump curves

CronoBloc-BL 80/200-30/2 - 80/210-37/2 (2-pole, 50 Hz)



Dimension drawing



Dimensions, weights (2-pole)																			
Wilo-Crono-Bloc-BL...	Dimensions																		Weight approx. m kg
	a	B _{max}	b1	b2	b7	∅g	H1	H2	H3	l1	M3	M4	N3	N4	p1	s3	w	x	
80/145-11/2	125	386	160	196	60	312	160	225	178	786	256	210	300	254	250	15	377	135	158
80/150-15/2	125	386	160	196	60	312	160	225	178	786	256	210	300	254	250	15	377	135	177
80/160-15/2	125	386	160	196	60	312	160	225	178	786	256	210	300	254	250	15	377	135	177
80/160-18,5/2	125	386	160	196	60	312	160	225	178	786	300	254	300	254	250	15	377	135	194
80/165-22/2	125	386	160	196	70	349	180	225	178	848	287	241	339	279	272	15	390	135	282
80/170-30/2	125	400	160	196	83	356	200	225	178	897	355	305	388	318	299	19	402	135	327
80/200-30/2	125	400	170	197	83	356	200	250	178	898	355	305	388	318	299	19	403	120	345
80/210-30/2	125	400	170	197	83	356	200	250	178	898	355	305	388	318	299	19	403	120	345
80/210-37/2	125	400	170	197	83	356	200	250	178	968	355	305	388	318	299	19	403	120	375

Flange dimensions (suction side)					
Wilo-CronoBloc-BL...	Nominal diameter		Pump flange dimensions		
	DN1	∅D	∅d mm	∅k	n x d _L pcs. x mm
80...	100	220	156	180	8 x 19

Pump flange dimensions - according to EN 1092-2 PN 16; n = number of drilled holes

Flange dimensions (discharge side)					
Wilo-CronoBloc-BL...	Nominal diameter		Pump flange dimensions		
	DN2	∅D	∅d mm	∅k	n x d _L pcs. x mm
80...	80	200	132	160	8 x 19

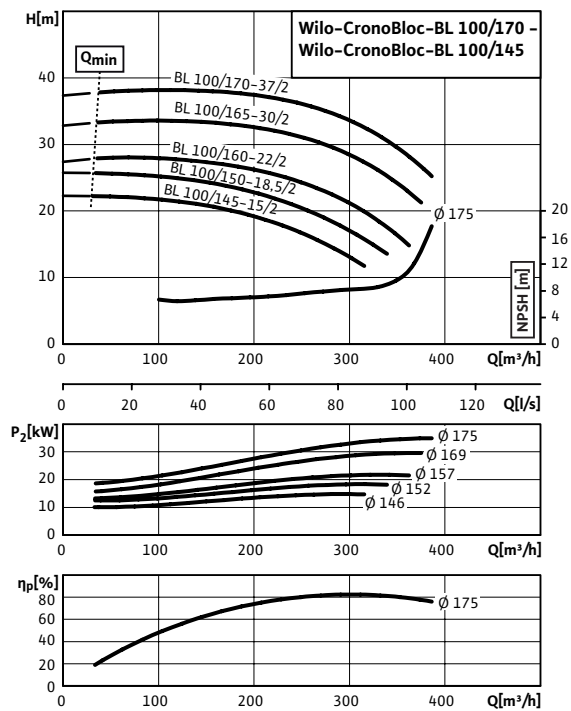
Pump flange dimensions - according to EN 1092-2 PN 16; n = number of drilled holes

Motor data (2-pole), minimum efficiency index, article numbers							
Wilo-CronoBloc-BL...	Motor efficiency level	Rated power	Rated current (approx.)	Power factor	Rated speed	Motor efficiency	Art no.
		P ₂ kW	I _N 3~400 V A	cos φ	n rpm	η _{m 50%} /η _{m 75%} /η _{m 100%} %	
80/145-11/2	IE3	11.00	20.50	0.85	2900	89.4/91.0/91.2	2121175
80/150-15/2	IE3	15.00	26.80	0.88	2900	90.4/92.1/91.9	2121176
80/160-15/2	IE3	15.00	26.80	0.88	2900	90.4/92.1/91.9	2121177
80/160-18,5/2	IE3	18.50	31.80	0.91	2900	90.9/92.0/92.4	2121178
80/165-22/2	IE3	22.00	38.00	0.90	2900	91.7/92.9/92.7	2121179
80/170-30/2	IE3	30.00	55.00	0.86	2900	91.8/93.0/93.3	2121180
80/200-30/2	IE3	30.00	55.00	0.86	2900	91.8/93.0/93.3	2121181
80/210-30/2	IE3	30.00	55.00	0.86	2900	91.8/93.0/93.3	2121182
80/210-37/2	IE3	37.00	64.80	0.92	2900	92.0/93.2/93.7	2121183

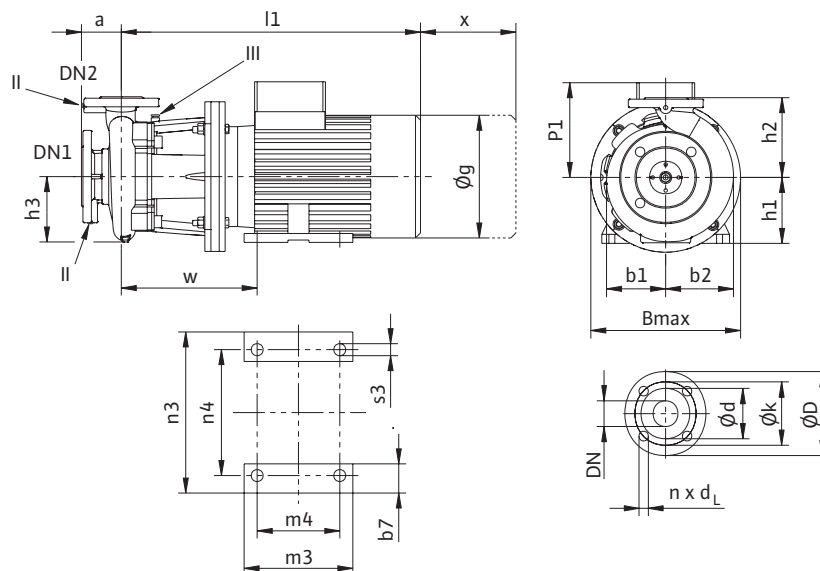
Observe motor name plate data

Pump curves

CronoBloc-BL 100/145-15/2 - 100/170-37/2 (2-pole, 50 Hz)



Dimension drawing



Dimensions, weights (2-pole)																			
Wilo-Crono-Bloc-BL...	Dimensions																	Weight approx.	
	a	B _{max}	b1	b2	b7	∅g	H1	H2	H3	l1	M3	M4	N3	N4	p1	s3	w	x	m kg
100/145-15/2	125	396	167	206	60	312	160	280	189	796	260	210	320	254	250	14	387	140	185
100/150-18,5/2	125	396	167	206	60	312	160	280	189	796	304	210	320	254	250	14	387	140	202
100/160-22/2	125	396	167	206	70	349	180	280	189	858	300	241	352	279	272	14	400	140	290
100/165-30/2	125	456	167	206	83	356	200	280	189	907	380	305	403	318	299	18	412	140	335
100/170-37/2	125	406	167	206	83	356	200	280	189	977	380	305	403	318	299	18	412	140	365

Flange dimensions (suction side)					
Wilo-CronoBloc-BL...	Nominal diameter	Pump flange dimensions			
	DN1	∅D	∅d mm	∅k	n x d _L pcs. x mm
100...	125	250	184	210	8 x 19

Pump flange dimensions - according to EN 1092-2 PN 16; n = number of drilled holes

Flange dimensions (discharge side)					
Wilo-CronoBloc-BL...	Nominal diameter	Pump flange dimensions			
	DN2	∅D	∅d mm	∅k	n x d _L pcs. x mm
100...	100	220	156	180	8 x 19

Pump flange dimensions - according to EN 1092-2 PN 16; n = number of drilled holes

Motor data (2-pole), minimum efficiency index, article numbers							
Wilo-CronoBloc-BL...	Motor efficiency level	Rated power	Rated current (approx.)	Power factor	Rated speed	Motor efficiency	Art no.
		P ₂ kW	I _N 3~400 V A	cos φ	n rpm	η _{m 50%} /η _{m 75%} /η _{m 100%} %	
100/145-15/2	IE3	15.00	26.80	0.88	2900	90.4/92.1/91.9	2121184
100/150-18,5/2	IE3	18.50	31.80	0.91	2900	90.9/92.0/92.4	2121185
100/160-22/2	IE3	22.00	38.00	0.90	2900	91.7/92.9/92.7	2121186
100/165-30/2	IE3	30.00	55.00	0.86	2900	91.8/93.0/93.3	2121187
100/170-37/2	IE3	37.00	64.80	0.92	2900	92.0/93.2/93.7	2121188

Observe motor name plate data

wilo

Pioneering for You

LENNTECH
WATER TREATMENT SOLUTIONS

info@lennotech.com Tel. +31-152-610-900
www.lennotech.com Fax. +31-152-616-289